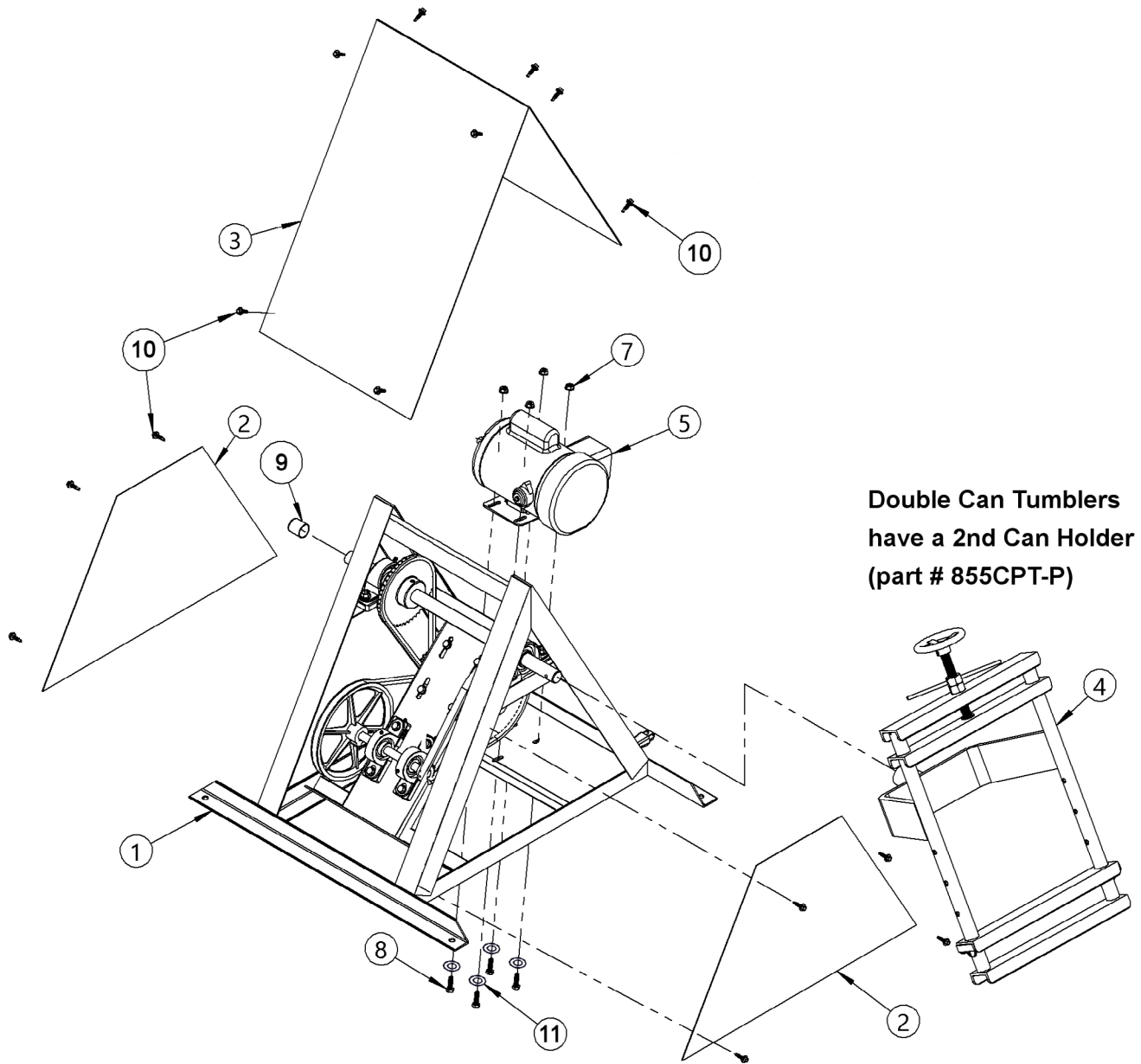


Parts Diagram for Morse 305 Series Can Tumblers with NO Timer
Serial Number 406368 to _____



Double Can Tumblers
have a 2nd Can Holder
(part # 855CPT-P)

ITEM	PART #	DESCRIPTION	QTY.
1	BASE ASSEMBLY	-- NOT SOLD SEPARATELY --	1
2	1892-P	COVER, SIDE 305 SERIES	2
3	835-P	COVER, TOP 305 SERIES	1
4	855CPT-P	CAN HOLDER CPT, 305 TYPE	1
5	MOTOR	>> SEE LIST AT RIGHT >>	1
7	1634-P	NUT, 5/16-18 WHIZ LOCK	4
8	35-P (AIR MODELS)	HHCS, 5/16-18 X 1 GR2	4
8	215-P (AC MODELS)	HHCS, 5/16-18 X 5/8 GR2	4
9	4235-P	CAP, PLASTIC, DRIVE SHAFT	1
10	6009-P	SCREW, 12-24 X 7/8 4 PT 201	16
11	1570-P	WASHER, 5/16 USS 7/8 OD	4

ITEM 5 - MOTOR		
MODEL #	MOTOR #	DESCRIPTION
1-305-1-50, 2-305-1-50	960-1-50-P	MOTOR, 1/2HP, 1PH, 48 RB 50HZ
1-305-1-230, 2-305-1-230	960-1-P	MOTOR, 1/4HP, 1PH, 48, RB
1-305-3, 2-305-3	960-3-P	MOTOR, 1/4HP, 3PH, 48, RB
1-305-3-50, 2-305-3-50	960-3-50-P	MOTOR, 1/4HP, 3PH RB TEFC 50HZ
1-305-575, 2-305-575	228-575-P	MOTOR, 1/2HP, 3PH RB TEFC 575V
1-305-E1, 2-305-E1	960-E1-P	MOTOR, 1/4HP, 1PH, 48 RB EXP
1-305-E1-50, 2-305-E1-50	228-E1-50-P	MOTOR, 1/4HP, 1PH, RB 50HZ EXP
1-305-E3, 2-305-E3	960-E3-P	MOTOR, 1/4HP, 3PH, 48 RB, EXP
1-305-E3-50, 2-305-E3-50	290-E3-50-P	MOTOR, 1/2HP, 3PH 56C 50HZ EXP
1-305-E575, 2-305E575	228-E575-P	MOTOR, 1/2HP, 3PH, RB 575V EXP
1-305-A, 2-305-A	228-A-P	MOTOR, AIR, RB, 201, 305