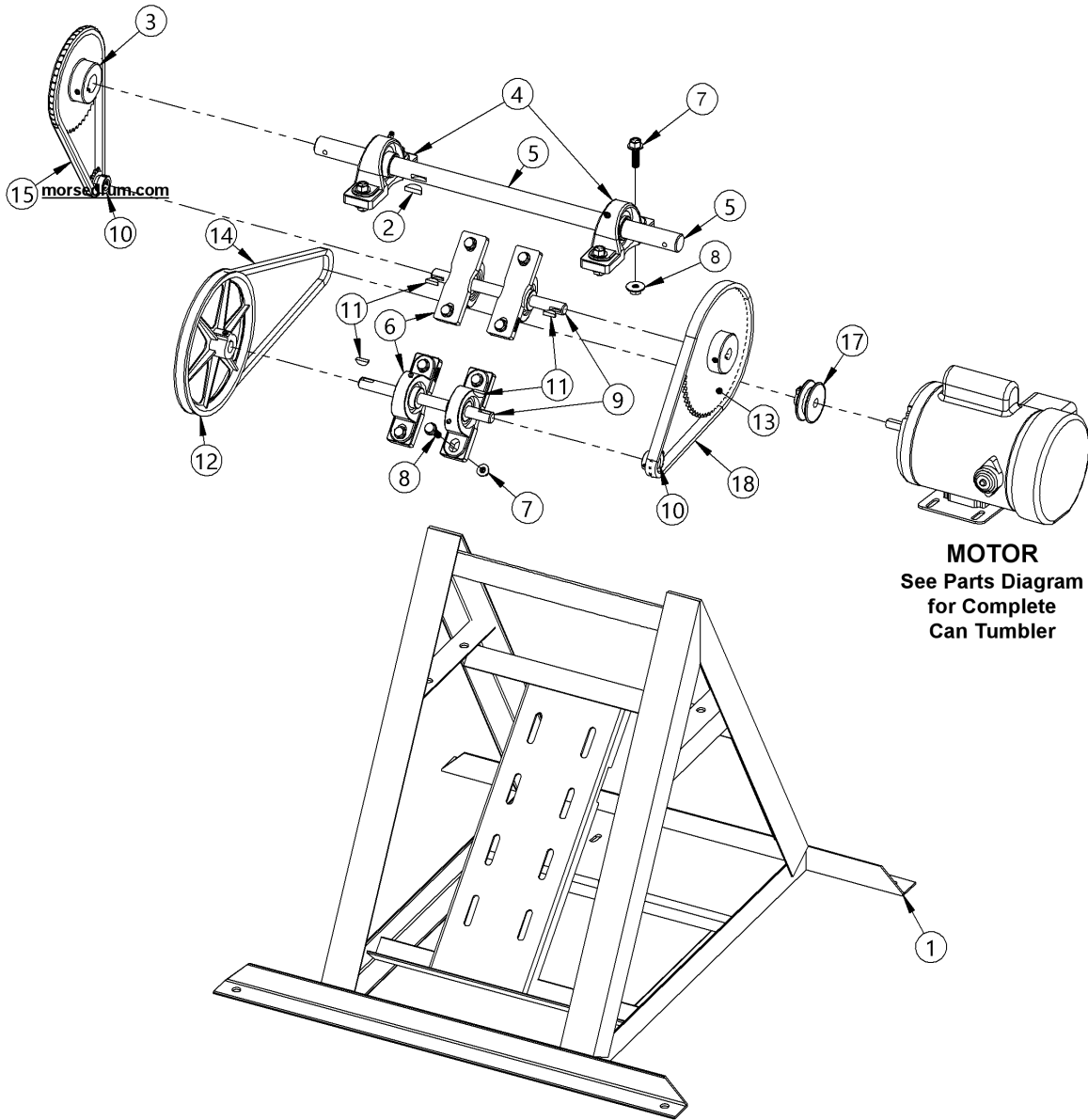


**Parts Diagram for Frame Used On Morse 305 Series**  
**Serial Number 289777 to \_\_\_\_\_**



**MOTOR**  
See Parts Diagram  
for Complete  
Can Tumbler

ITEM NO.	PART NUMBER	DESCRIPTION	QTY.
1	955-P	FRAME WELD, 305 SERIES	1
2 *	736-P	KEY, WOODRUFF, SIZE 15, ASA808	1
3 *	940-P	SPROCKET #35 48T, 1" BORE	1
4 *	297-P	BEARING, 1" PILLOW BLOCK	2
5 *	970-P	DRIVE SHAFT, 305 SERIES	1
6 *	5583-P	BEARING, 5/8" PILLOW BLOCK	4
7	4002-P	NUT, 3/8-16 WHIZ LOCK	12
8	4003-P	BOLT, 3/8-16 X 1-1/4 WHIZ	12
9 *	194-P	JACK SHAFT, 201, 305 SERIES	2
10*	2544-P	SPROCKET #35 12T, 5/8" BORE	2
11 *	735-P	KEY, WOODRUFF, SIZE 9, ASA606	4
12*	850-P	SHEAVE, 8" X 5/8 BORE, 305	1
13*	2549-P	SPROCKET #35 60T, 5/8" BORE	1
14*	845-P	VEE BELT, L SECTION, 305	1
15*	945-P	CHAIN, ROLLER, #35 73 PITCH	1
17*	950-P	SHEAVE, 2-1/4 X 1/2 BORE, 305	1
18 *	2949-P	CHAIN, ROLLER, #35 78 PITCH	1

\* Recommended spare parts