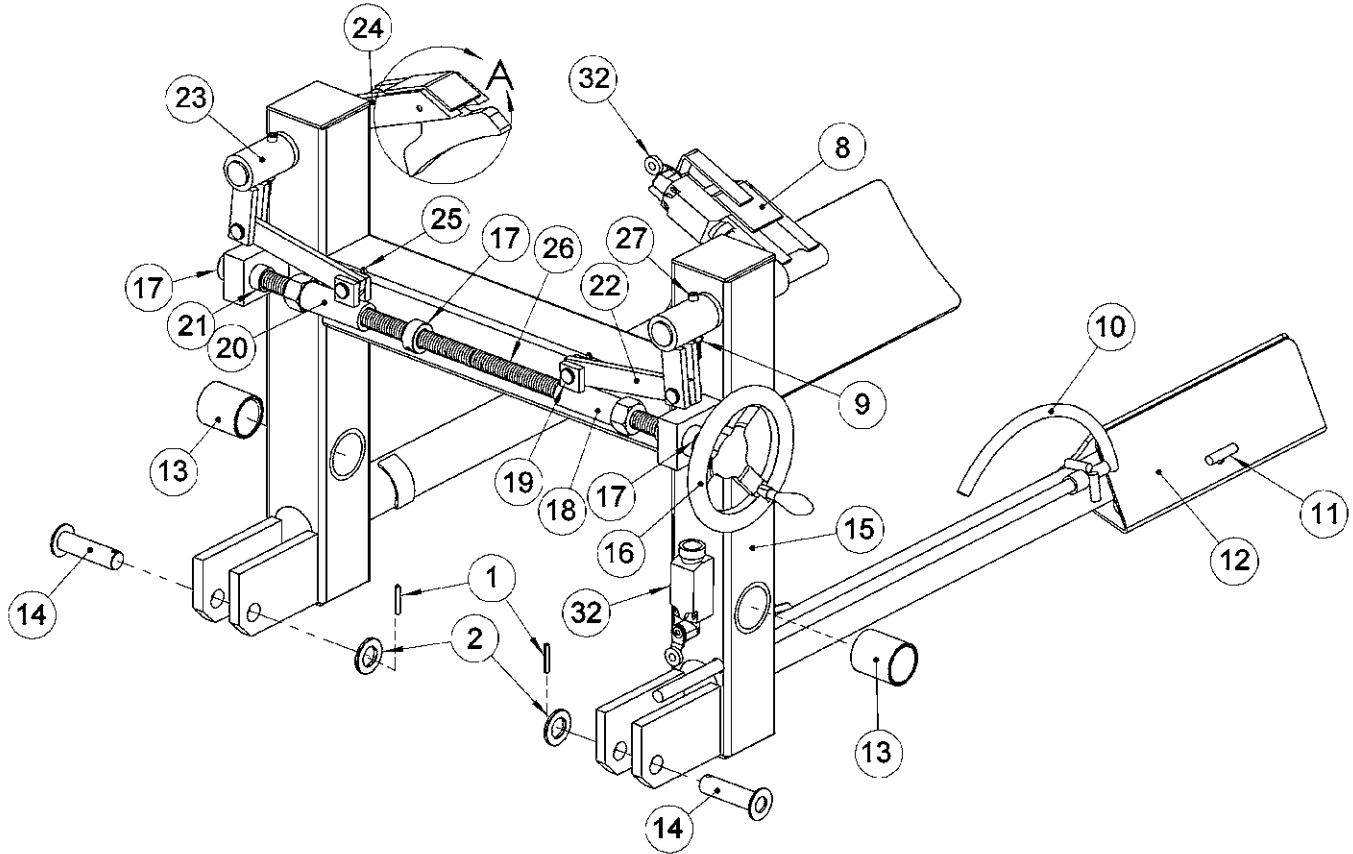


Parts List and Diagram for Morse Part # 3955-P Drum Grab Assembly for Fork Mounted Drum Rackers with Serial number 229669 to _____



ITEM	QTY	PART #	DESCRIPTION
8	1	3020-P	ARM WELD, R CLAMP, MORSTAK 600
9	2	1518-P	NUT, 1/4-20 NYLON LOCK
10	1	2598-P	DRUM PRESENCE WELD, 600
11	2	3282-P	PIN, RETAINER, DRUM PAD, 600
12	2	3283-P	DRUM PAD WELD, 600
13 *	2	560-P	BEARING, 1-1/2" ID X 2", GR
14	2	2587L-P	CLEVIS PIN, TILT CYL LIVE 600
15	1	3956-P	DRUM GRAB WELD, MORSTAK, 600
16	1	2869-P	HANDWHEEL, 6" ALUM, 5/8" BORE
17	3	15-P	COLLAR, 3/4" ID
18	1	3963-P	SHORT CLEVIS WELD, RH GRAB 600
19	4	1167-P	CLEVIS PIN, 1/2" X 1-3/8", 90
20	1	3963L-P	SHORT CLEVIS WELD, LH GRAB 600

ITEM	QTY	PART #	DESCRIPTION
21	2	7-P	BEARING, 3/4" ID X 1-1/2"
22	2	3961-P	LINK, DRUM GRAB, 600
23	2	3965-P	DRIVEN TUBE WELD, GRAB 600
24	1	3022-P	ARM WELD, L CLAMP, MORSTAK 600
25	4	785-P	COTTER PIN, 1/8" X 1"
26	1	3964-P	3/4-10 THREADED ROD WELD 600
27	2	1040-P	SHCS, 1/4-20 X 2-1/2
28	2	1675-P	ROLL PIN, 1/8 X 7/8
29	2	4205-P	BUSHING, SPACER, CLAMP PAD PIN
30	2	2934-P	CLAMP PAD W/ HOLE WELD, 600
31	2	2922-P	PIN, CLAMP PAD RETAINER, 600
32	2	3190-P	SWITCH, DC LIMIT, 600

* Recommended spare parts.