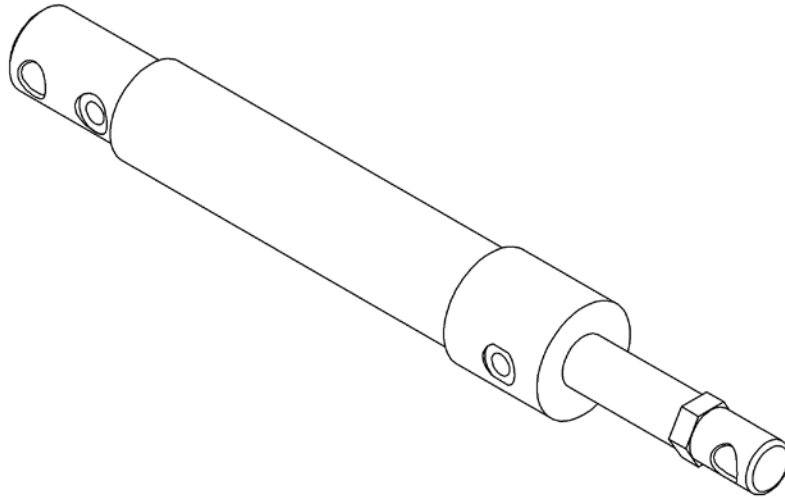


**Replacement Parts List for Morse Part # 4418-P Hydraulic Cylinder**

Used on:

- Model 285A-BP Forklift-Karrier with serial numbers 0607 to \_\_\_\_ (MMYY)
- 611 and 620 Series MORStak Drum Rackers with serial numbers 229669 to \_\_\_\_\_
- 310 Series Tilt-To-Load Drum Tumblers with serial numbers 234652 to 236552



QTY.	PART #	DESCRIPTION
1	4418-P	CYLINDER, 2 X 10, SAE ADJ CLEV
1	4347-P	KIT, SEAL 2" CYL 1279-P 4418-P

Note:

Stroke is 10" (25.4 cm)  
 Length Closed: 19-3/4" to 20-1/8" (50.2 to 51.1 cm) Center to Center  
 Length Fully Extended: 29-3/4" to 30-1/8" (75.6 to 76.5 cm) Center to Center