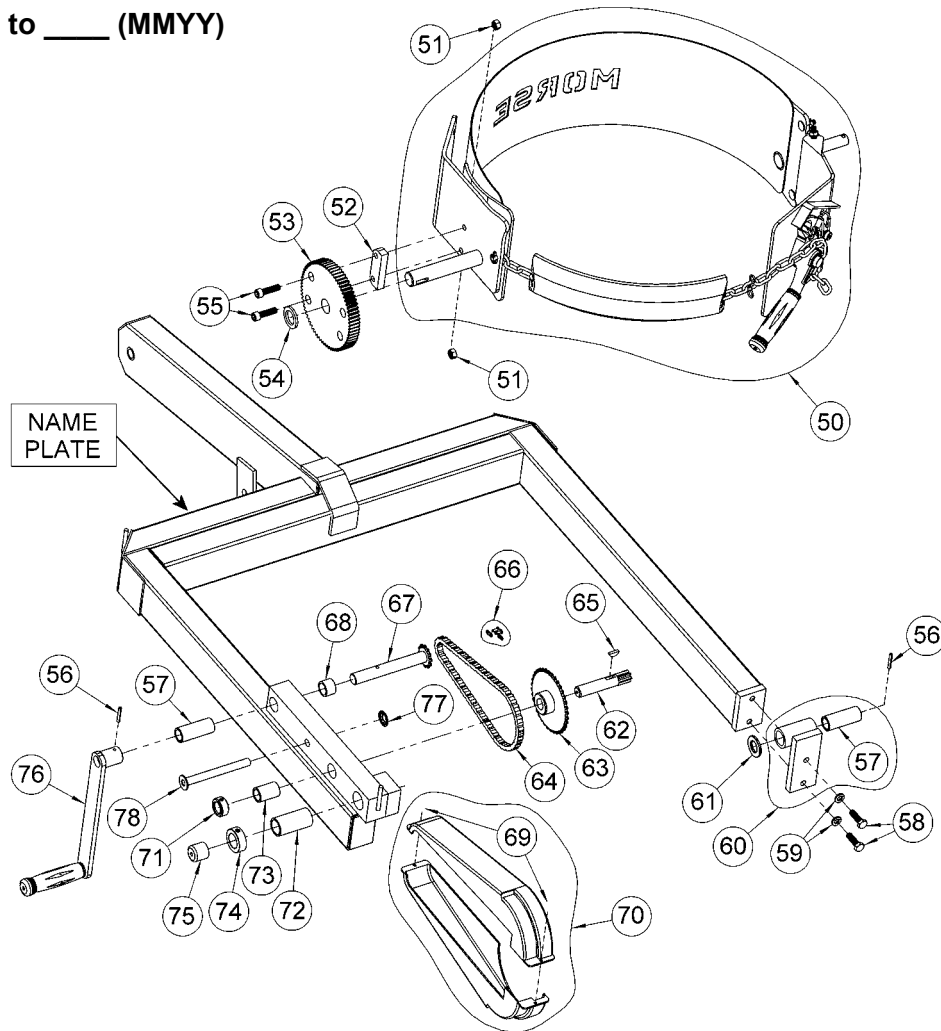


Morse Part # 4519-60-P Overhead Assembly used on
60" Hydra-Lift Karriers with Manual Tilt
with Serial Number 0409 to ____ (MMYY)

IMPORTANT

NOTE: Serial numbers are simply the month and year of manufacture.

Example: 0802 is August 2002



| ITEM | QTY. | PART # | DESCRIPTION |
|------|------|---------|------------------------------|
| 50 | 1 | 5000-P | SADDLE ASM, MORCINCH, MOR |
| 51 | 2 | 1169-P | NUT, 3/8-16 REV HEX LOCK |
| 52 | 1 | 4473-P | SPACER, SPUR GEAR, MOR |
| 53* | 1 | 23-P | GEAR, SPUR, 72T, 1" HOLE |
| 54 | 1 | 29-P | SPACER, SPUR GEAR .15" |
| 55 | 2 | 4370-P | SHCS, 3/8-16 X 1-3/8 |
| 56* | 2 | 64-P | ROLL PIN, 3/16 X 1-1/4 |
| 57* | 2 | 19-P | BEARING, 3/4" ID X 2-1/2" |
| 58 | 2 | 535-P | HHCS, 3/8-16 X 1-1/4 GR5 |
| 59 | 2 | 1474-P | WASHER, 3/8 SPLIT LOCK |
| 60* | 1 | 3849B-P | BEARING ASM, SLIDING IDLER |
| 61 | 1 | 55-P | WASHER, 3/4 SAE FL 1-1/2 OD |
| 62* | 1 | 14-P | GEAR, PINION, 7 TOOTH |
| 63* | 1 | 13-P | SPROCKET #35 36T, 3/4" BORE |
| 64* | 1 | 12-P | CHAIN, ROLLER, #35 W/ M LINK |

| ITEM | QTY. | PART # | DESCRIPTION |
|------|------|--------|---------------------------------------|
| 65* | 1 | 735-P | KEY, WOODRUFF, SIZE 9, ASA606 |
| 66 | 1 | 795-P | LINK, MASTER, #35 CHAIN |
| 67* | 1 | 1302-P | SHAFT W/ 12T SPROCKET, POCKET |
| 68* | 1 | 1411-P | SPACER, SHAFT W/ 12T SPROCKET |
| 69 | 2 | 2182-P | WIRE / CABLE TIE, 4-33/64 (NOT SHOWN) |
| 70 | 1 | 4285-P | COVER SET, 30:1 GEARS, REG |
| 71 | 1 | 15-P | COLLAR, 3/4" ID |
| 72* | 1 | 18-P | BEARING, 1" ID X 2-1/2" |
| 73* | 1 | 7-P | BEARING, 3/4" ID X 1-1/2" |
| 74 | 1 | 16-P | COLLAR, 1" ID |
| 75 | 1 | 4235-P | CAP, PLASTIC, DRIVE SHAFT |
| 76* | 1 | 5U-P | HAND CRANK, W/ SOCKET TUBE |
| 77* | 1 | 718-P | NUT, 1/2 PUSH |
| 78* | 1 | 100-P | STOP PIN, HAND CRANK, 1/2 X 5 |

* Recommended spare parts.