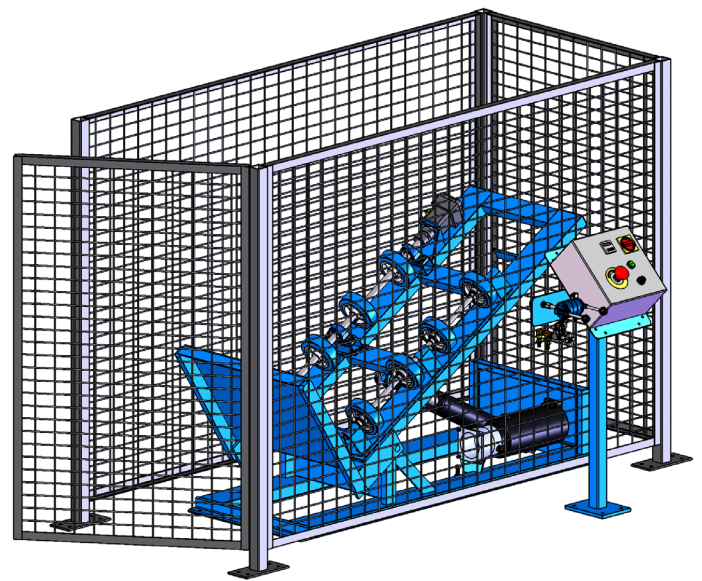


CONTENTS

	Page
Receiving Procedures.	1
Warranty.	1
Safety Information.	1 - 2
Machine Description.	3
Options.	3
Installation Instructions.	4 - 5
Operating Instructions.	5 - 6
Maintenance.	6
Parts Lists and Diagrams.	7 - 11
Specifications.	12
Declaration of Conformity.	13

Operator’s Manual
for Morse
CE-Marked Hydra-Lift Drum Rollers
456-CE Series

Serial Number 278575 to _____



Receiving Procedures

Every Morse drum handler is inspected prior to shipping. However, damage may be incurred during transit.

- Check for visible damage. If you choose to accept damaged freight, always sign noting the damage on the **Bill of Lading**.
- Document the damage and have the truck driver sign. We recommend keeping a digital camera at your receiving dock for this purpose.
- Open packages expeditiously to check the condition of the goods. There is only a 24 hour window to notify the carrier of any concealed damage.
- Immediately **report all damage to the shipping company!** Then you may contact Morse for assistance with your freight claim.
- Morse Manufacturing will not be held responsible for any damaged freight that is not signed for as damaged.

Limited 2 Year Warranty

Morse drum handling equipment is guaranteed against defects in workmanship or materials for two years when used properly within its rated capacity. Warranty does not cover wear from normal use or damage from accident or abuse. Motors and other purchased parts carry the warranties of their manufacturers.

For warranty claims, contact your Morse Dealer to obtain a return authorization number, and for return freight advice. Return freight must be prepaid.

In all instances, liability is limited to the purchase price paid or to repairing or replacing the product. Customer assumes liability for any modifications, unauthorized repairs or parts substitution.

Safety Information

While Morse Manufacturing Co. drum handling equipment is engineered for safety and efficiency, a high degree of responsibility must be placed upon the machine operator to follow safe practices, based primarily on common sense, upon which true safety depends.




Failure to follow the safety precautions in this manual can result in personal injury or property damage. Observe the same precautions as with similar machinery where carelessness in operating or maintenance is hazardous to personnel. Carefully read the safety precautions below and throughout this manual.

Review the Material Safety Data Sheet(s) for the material(s) in the drum(s) and take all necessary precautions. Safety shoes, work gloves, hard hat and other personal protective devices are recommended.

Prior to initial use, inspect all moving parts and test rotation of wheels. Perform necessary inspections, operator training, etc.

Operator's Manual for Morse 456-CE Series CE-Marked Hydra-Lift Drum Rollers
Serial Number 278575 to _____

Safety Information (continued)

	DANGER - Indicates a situation which, if not avoided, will result in serious injury or death. This signal word is limited to the most extreme situations.
	WARNING - Indicates a situation which, if not avoided, could result in serious injury or death.
	CAUTION - Indicates a situation which, if not avoided, can result in damage to the machine.



DANGER - Watch Out for Pinch Points. Stay clear of moving parts. Do Not Stand Near any Part of a Rotating Drum or Drum Holder. Operator should remain directly in front of the control station while operating the rotator. Morse CE-Marked Drum Rotators comply with OSHA subpart O, 1910.212 - "General requirements for all machines." "Revolving drums, barrels, and containers shall be guarded by an enclosure which is interlocked with the drive mechanism, so that the barrel, drum, or container cannot revolve unless the guard enclosure is in place." (A safety enclosure is included with each CE-Marked MORSE drum rotator.)



WARNING - The 456-CE Series is designed to handle one drum of the types listed at the top of page 3 under machine description. DO NOT attempt to handle any other type of drum or object. DO NOT exceed the weight capacity.



WARNING - Level Floors Only. For operation only on clean, level floors of suitable bearing capacity. Do not use on sloped surfaces, ramps, irregular or debris strewn floors.



WARNING - Properly Mount to Floor. Do Not put into service without proper floor mounting and leveling. Use the four mounting holes in each corner of the base to anchor to floor.



WARNING - Do Not Modify the Unit. Under no circumstances should any modifications be made to the Morse machinery without factory authorization. Any modifications may void the warranty. This machine was designed to perform a specific job and alterations may result in injury to operator or machine.



WARNING - No Loose Fitting Clothing. Wear close-fitting clothing and safety equipment appropriate to the job. Loose fitting clothing may become caught on the machinery and cause severe personal injury.



WARNING - Hydraulic Fluid Under Pressure Can Be Hazardous. Escaping hydraulic fluid under pressure can penetrate the skin, causing serious injury. Avoid the hazard by relieving pressure before disconnecting hydraulic lines. Keep hands and body away from pinholes and nozzles which eject fluid under high pressure. Use a piece of cardboard to search for leaks. If an accident occurs, see a doctor immediately and inform them of the nature of the accident.



CAUTION - Wear safety shoes with non-slip soles and hard toe protection.



CAUTION: DO NOT allow drum to impact on floor.



WARNING: This product can expose you to chemicals including barium sulfate, cobalt, titanium dioxide, and 2-methylimidazole, which are known to the State of California to cause cancer, and bisphenol-A, which is known to the State of California to cause birth defects or other reproductive harm. For more information go to www.P65Warnings.ca.gov

Operator's Manual for Morse 456-CE Series CE-Marked Hydra-Lift Drum Rollers
Serial Number 278575 to _____

Machine Description

The Morse 456-CE Series CE-Marked Hydra-Lift Drum Rollers are designed to receive an upright drum at floor level, hydraulically tilt drum to horizontal, and rotate the drum on its side between 4 to 16 RPM. It is designed to rotate a steel drum 15.2 to 71.1 cm (6" to 28") in diameter, and up to 101.6 cm (40") tall. The maximum liquid capacity is 454 kg (1000 Lb.). Capacity is derated to 181 kg (400 Lb.) for a dry load.



Options

- A 1 to 5 gallon can or pail can be rotated with the optional Idler Attachment (part # 1-5-1) installed.
- A 208 liter (55-gallon) plastic drum can be rotated with the correct POLY option installed.
 - Order Option POLY-456 factory installed on your new 456-CE Series Drum Roller.
 - Order Option POLY-456FI for field installation of POLY Kit on your existing 456-CE Series Drum Roller.

Controls

There are two powered functions for the operator to control. Each function is controlled separately by levers mounted on the control station.

1. The "TILT" function, for vertical positioning of the drum holder. The lever on the right side is the "TILT" control valve. Raising the lever will tilt the drum to vertical. Lowering the lever will tilt the drum to horizontal.
2. The "ROLL" function, or the rotation of the drum holder. The lever on the left side is the "ROLL" control valve. Raising this lever causes the drum to rotate. Lowering the lever away from the operator will stop the drum from rotating. The rotation speed can be varied with the metering valve (item 13 on page 9). Turn the valve clockwise to increase speed up to a nominal 16 RPM, counterclockwise to decrease speed down to a nominal 4 RPM. RPM is based on a 57.2 cm (22.5") diameter 208 liter (55-gallon) steel drum and a 50Hz 1425 RPM motor.

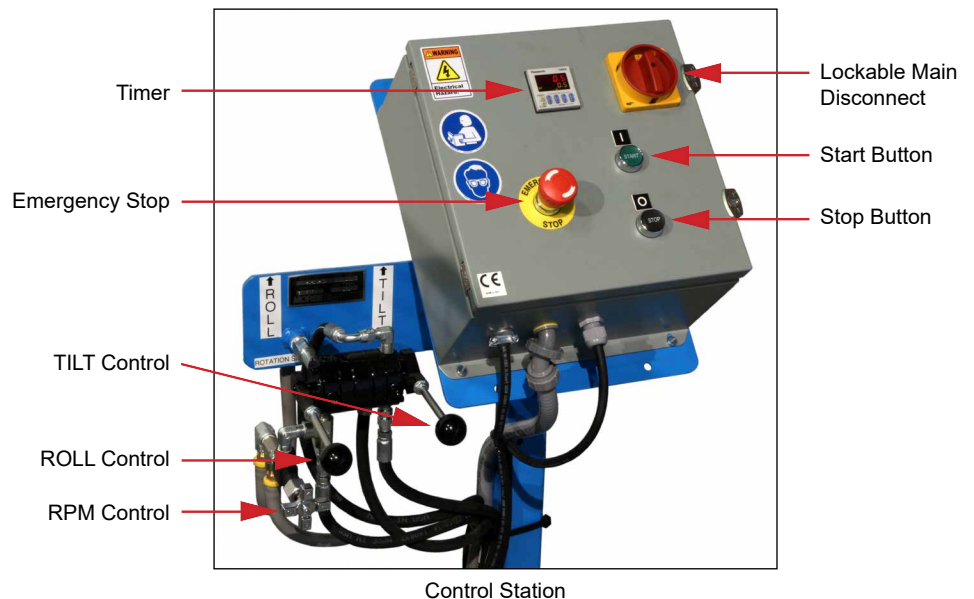


Figure 1

Machine Unpacking

Carefully remove the top and sides of the crate covering the machine so as not to damage painted surfaces, electrical or hydraulic components. Inspect the machine for visible damage. If damage is noted, follow receiving procedure on page 1. Remove the (4) lag screws connecting the machine base to the pallet. Remove machine from pallet by lifting around the tilt bed assembly. Attach a strap to an overhead crane and raise slowly, as the machine will have a tendency to tilt (see figure 1).

Operator's Manual for Morse 456-CE Series CE-Marked Hydra-Lift Drum Rollers
Serial Number 278575 to _____

Installation Instructions

- Hydra-Lift Rotators are shipped filled with hydraulic fluid (Dexron 3 or equivalent). Replace the **RED** shipping plug from the hydraulic reservoir with the supplied **BLACK** breather, and install hydraulic levers **BEFORE** operation.
- The base has four 1/2" (1.27 cm) diameter holes spaced 20-3/8" wide x 62-5/8" long (51.75 cm wide x 159.07 cm long). Morse recommends the rotator be secured to the floor using 3/8" x 3" (.95 cm x 7.6 cm) lag bolts (not included).
- Install all Morse Rotators in accordance with OSHA requirements for enclosure and safety interlock, etc. Drum rotator must automatically turn off when enclosure door is opened.
- Control Station - Making Connections:
 - AC Powered Models**
 - The main power must be wired into the control box.
 - Models ordered with non-explosion proof motor and appropriate Morse Control Package have the control box wired to the motor.
 - Models ordered with explosion proof motor and appropriate Morse Explosion-Proof Control Package have no wiring from the nema 7/9 control box to the motor. Please consult an electrician to complete the wiring.
 - Jog the motor to check rotation. Motor fan must turn clockwise.
 - To reverse rotation if necessary
 - For 3 phase motors: interchange any two input leads.
 - For 1 phase motors: interchange wires 5 & 8 in junction box.
 - AIR Powered Models**
 - For the air motor powered rotator, a filter, regulator, lubricator is mounted on the control station. A shutoff ball valve is installed on the inlet of the regulator. The air connection should be made at the inlet of this valve.
 - Ensure that the supply air lines are of sufficient size to provide proper air volume. The air motor requires 40 scfm, and 40 psi of compressed air. The proper air pressure will depend on the weight of the drum (see [Air Motor Technical Info](#)).
- Adjust drive and idler wheels to your particular drum.

With provided 1/8" allen wrench, loosen the two set screws found in each drive wheel hub and the set screw in each collar surrounding the idler wheels. Wheels should be positioned to support the drum at its strongest point; adjacent to ribs (see Figure 1). This configuration will also prevent the drum from moving axially. Tighten set screws.

A variety of drum diameters can be accommodated by adjusting the idler plate assembly toward the drive side for smaller diameters and away from the drive side for larger diameters. The plate may be adjusted to allow drive shaft spacing from 8" to 18". It is preset to the second (outer) set of holes for use with standard 55-gallon steel drums. To adjust, remove the three idler plate bolts (item 23 on page 8) and slide the idler plate assembly (item 27 on page 8) to the proper set of mount holes and refasten the mount bolts.

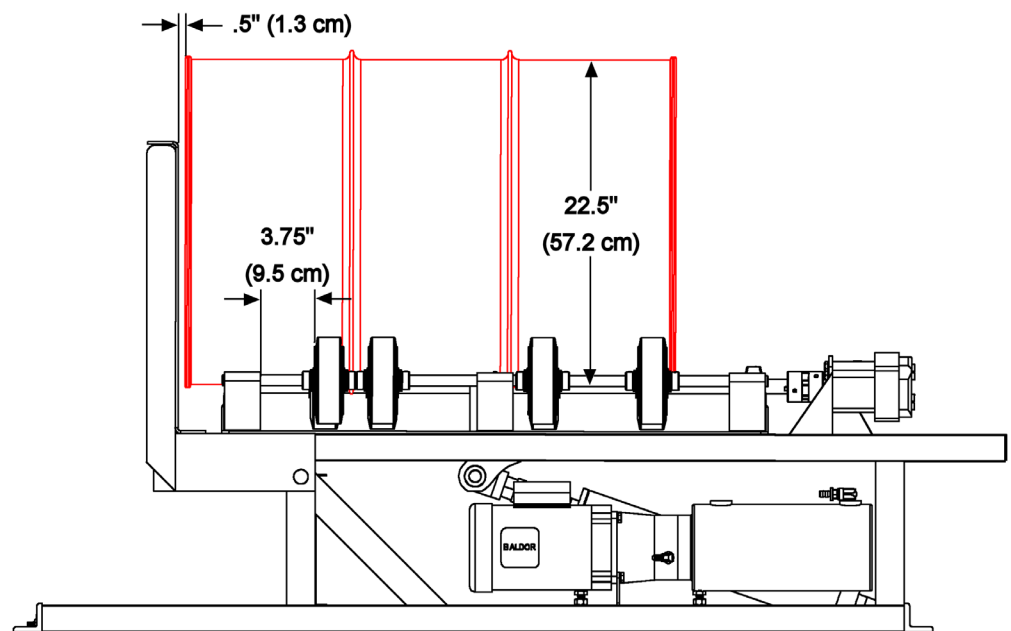


Figure 1

Operator's Manual for Morse 456-CE Series CE-Marked Hydra-Lift Drum Rollers
Serial Number 278575 to _____

Loading a Drum

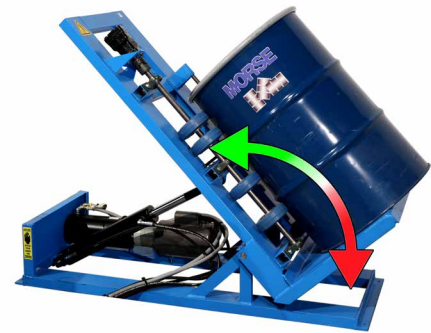
1. Raise the "TILT" lever to tilt the load plate to floor level.



2. Place an upright drum onto the load plate with a drum truck or with your crane and a below-hook drum lifter.



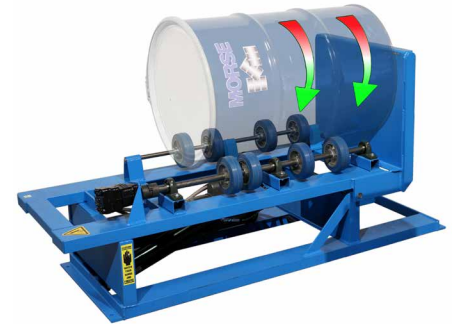
3. Lower the "TILT" lever to tilt the drum from upright into horizontal position.



Operator's Manual for Morse 456-CE Series CE-Marked Hydra-Lift Drum Rollers
Serial Number 278575 to _____

Rotating a Drum

4. After ensuring that the area around the rotator is clear, raise the "ROLL" lever to begin rotation.



5. The drum rotation speed can be varied with the metering valve (item 13 on page 9). Turn the valve clockwise to increase speed up to 16 RPM, counter-clockwise to decrease speed down to 4 RPM.



Unloading a Drum

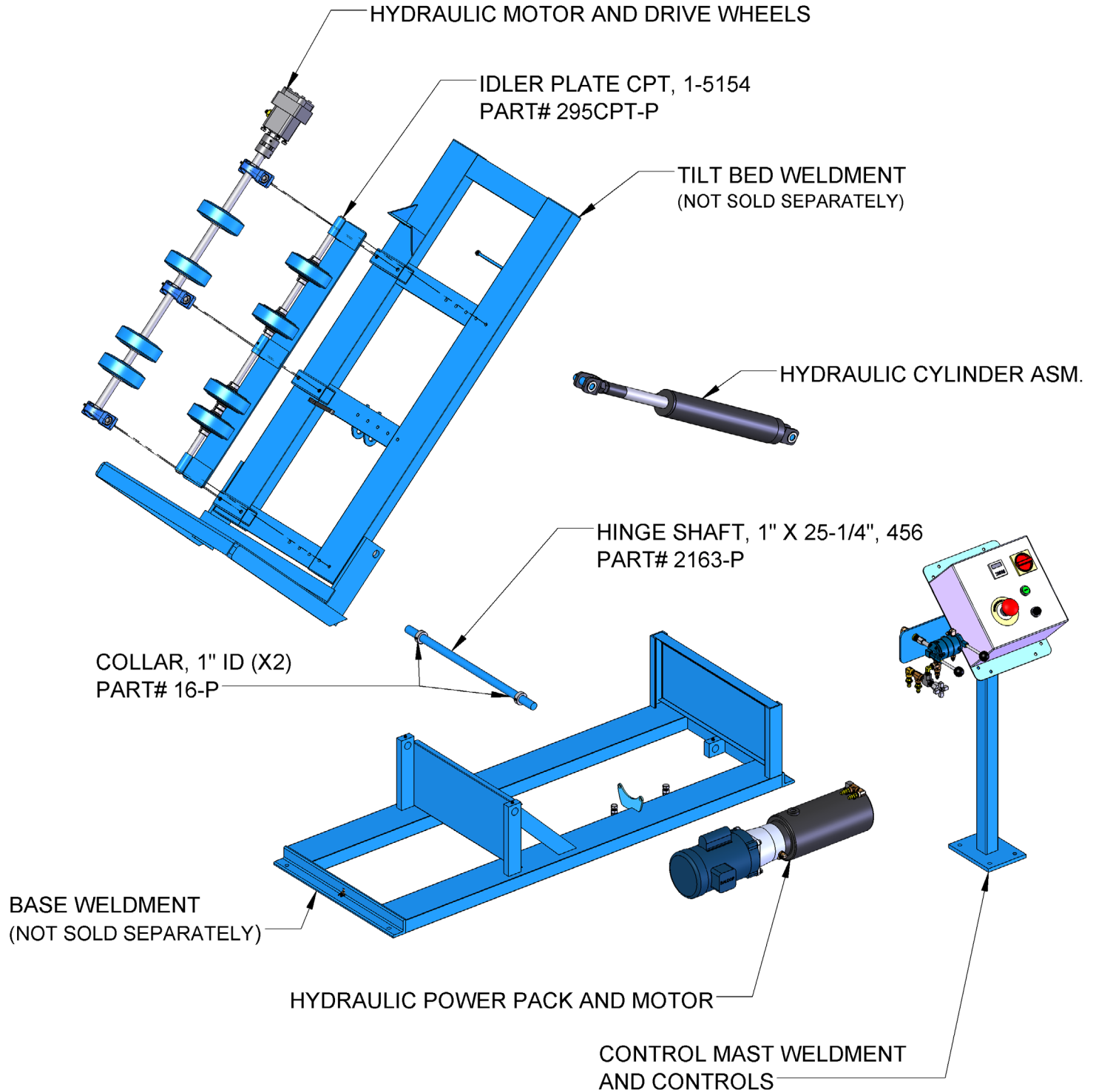
Ensure the drum is in vertical upright position to unload. Unload upright drum from the load plate with a drum truck or with your crane and a below-hook drum lifter.

Maintenance

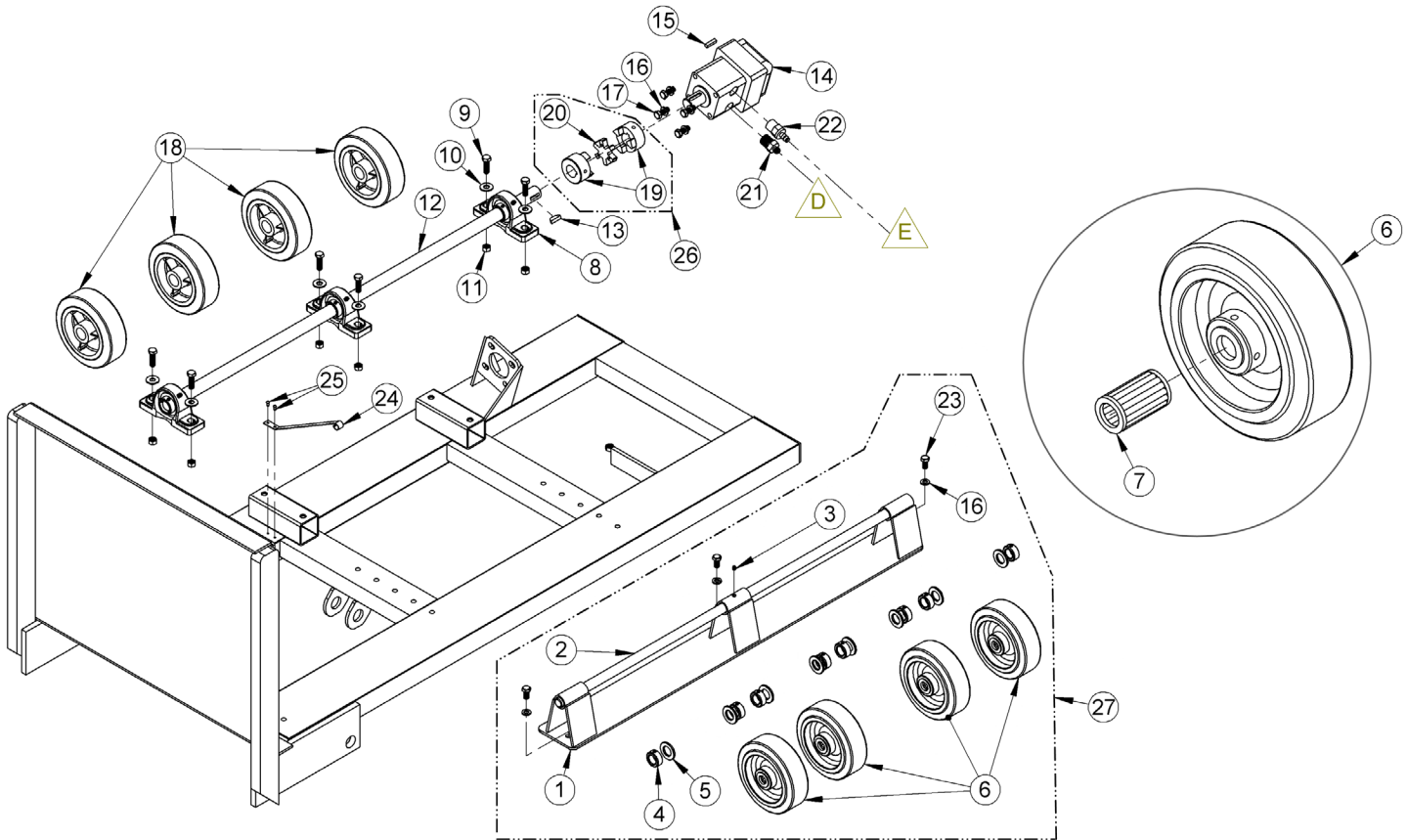
Periodic inspection for the general condition of structural and mechanical components is imperative for safe and efficient operation.

1. Idler wheels and drive bearings are equipped with grease fitting and should be lubricated periodically. High pressure grease guns are not recommended, as their force may damage seals.
2. Motors have permanently lubricated ball bearings.
3. Inspect the hydraulic system for oil drips, hose damage, or other signs of wear. Inspect the level and condition of the hydraulic fluid. Hydraulic fluid level should be within a 1/2" of the top of the reservoir when the cylinder is in the relaxed position. Replace any parts that show signs of wear.
4. Lubricate all moving parts including: bearings and clevis pins.
5. Periodically inspect all moving parts, framework, contact areas, and floor mounting fasteners for signs of wear, fatigue, or loosening. Tighten, adjust or replace parts as necessary to prevent failure and maintain proper function.

Operator's Manual for Morse 456-CE Series CE-Marked Hydra-Lift Drum Rollers
Serial Number 278575 to _____



Operator's Manual for Morse 456-CE Series CE-Marked Hydra-Lift Drum Rollers Serial Number 278575 to _____

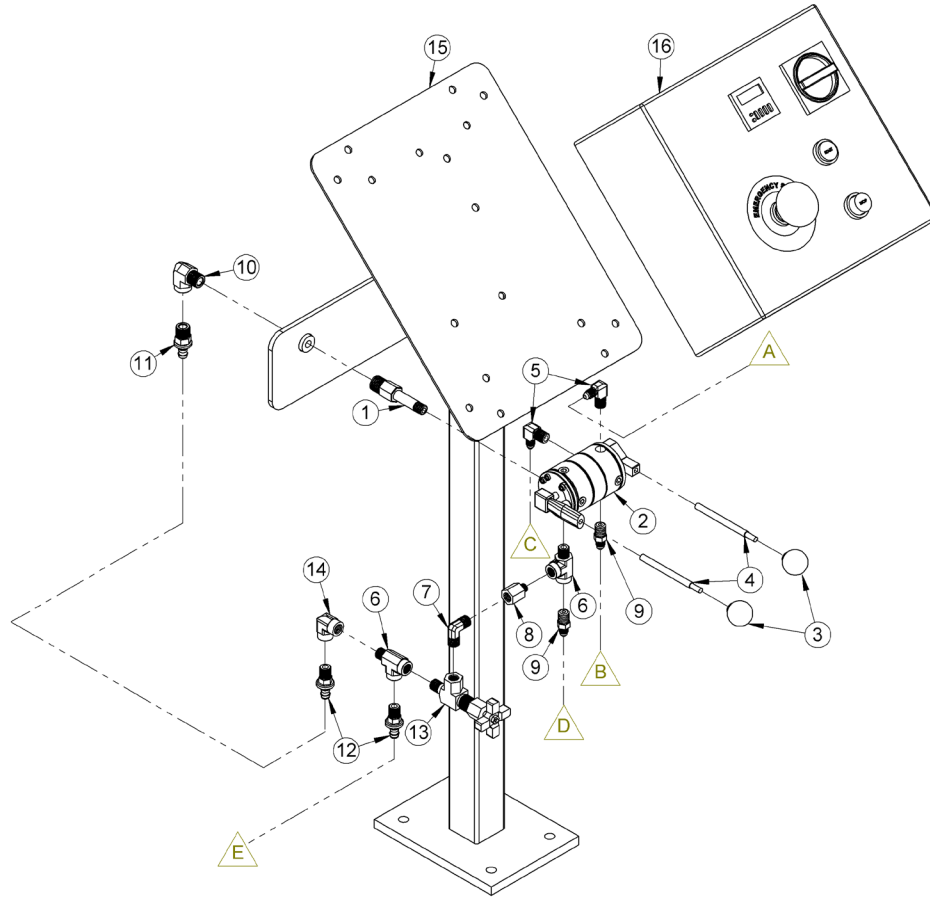


ITEM	QTY.	PART #	DESCRIPTION
1	1	295-P	IDLER PLATE WELD, 5154
2	1	301-P	IDLER SHAFT, 3/4" X 38" 5154
3	1	1000-P	SET SCREW, 1/4 - 20 x 1/4
4	8	15-P	COLLAR, 3/4" ID
5	8	55-P	WASHER, 3/4 SAE FL 1-1/2 OD
6 *	4	292-P	WHEEL, IDLER, 6" W/ 3/4" BRG
7	4	1875-P	BEARING, 3/4" ID, 6" WHEEL
8	3	297-P	BEARING, 1" PILLOW BLOCK
9	6	535-P	HHCS, 3/8-16 X 1-1/4 GR5
10	6	1166-P	WASHER, 3/8 USS 1" OD
11	6	1169-P	NUT, 3/8-16 REV HEX LOCK
12	1	299-P	DRIVE SHAFT, 1" X 40" 5154
13	1	736-P	KEY, WOODRUFF, SIZE 15, ASA808
14	1	351-P	MOTOR, HYDRAULIC HYD, 400, 456

ITEM	QTY.	PART #	DESCRIPTION
15	1	2656-P	KEY, SQUARE, 1/4 X 1"
16	7	1474-P	WASHER, 3/8 SPLIT LOCK
17	4	1572-P	HHCS, 3/8-16 X 1 GR2
18 *	4	291-P	WHEEL, DRIVE, 6", 1" BORE
19	2	1665-P	COUPLING BODY HALF, 1" BORE
20 *	1	305-P	SPIDER, BUNA N, 5154
21	1	2120-P	HYD FIT, MALE CONNECTOR, 400
22	1	2175-P	HYD FITTING 1/2 X 3/8 PUSH LOK
23	3	1657-P	HHCS, 3/8-16 X 3/4 GR2
24	1	217-P	GROUNDING STRAP, 5154, 201
25	2	213-P	SCREW, #7 X 5/16 DRIVE
26	1	2808-P	COUPLING CPT, 1" TO 1"
27	1	295CPT-P	IDLER PLATE CPT, 1-5154

* Recommended spare parts

Operator's Manual for Morse 456-CE Series CE-Marked Hydra-Lift Drum Rollers Serial Number 278575 to _____

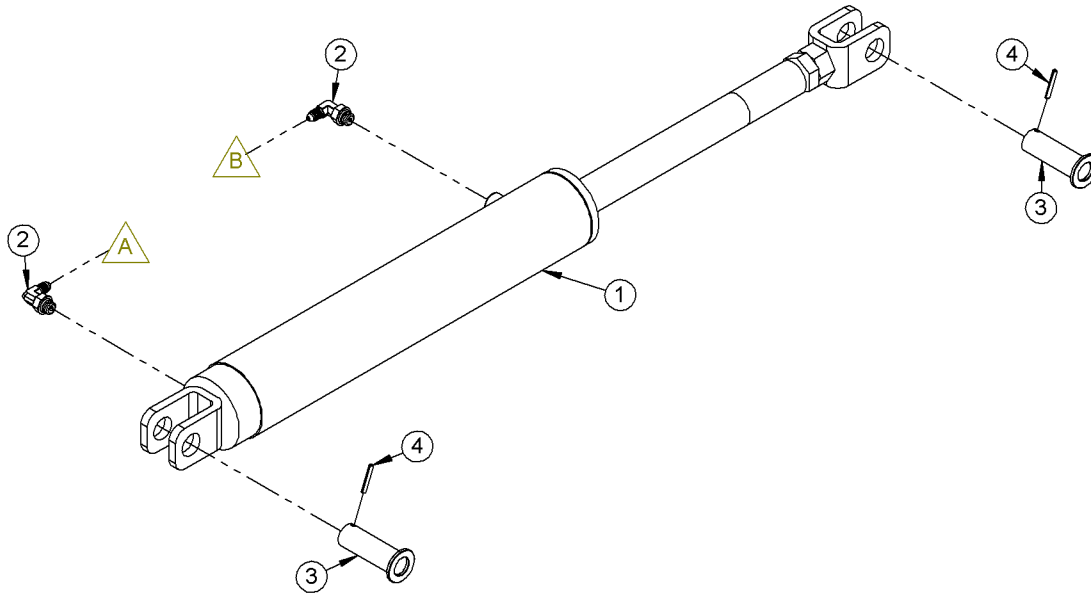


ITEM NO.	PART NUMBER	DESCRIPTION	QTY.
1	M01319-P	PUMP VALVE ADAPTOR, 3-3/8	1
2	M07381-P	VALVE, 3-4 WAY ROUND ROUND 456	1
3	M01157-P	BALL, PLASTIC, HANDLE, MONARCH	2
4	M01326-P	ROD, VALVE HANDLE, MONARCH	2
5	765-P	HYD FIT, MALE ELBOW, FLARE 400	2
6	1105-P	HYD FIT, RUN TEE, 456, 310	2
7	2119-P	HYD FIT, MALE PIPE ELBOW, 456	1
8	3209-P	ADAPTOR PIPE FIT, 310	1
9	345-P	HYD FIT, MALE FLARE, 456, 82	2
10	3301-P	HYD FIT, STREET EL, 3/8 310	1
11	2519-P	HYD FIT, 3/8 X 3/8 PUSH LOK	1
12	1107-P	HYD FIT, 1/4 X 3/8 PUSH LOK	2
13	4772-P	VALVE, METERING, 310	1
14	4776-P	HYD FIT, ELBOW, 1/4	1
15	5762-P	MAST ASM, 310, 456	1

HYDRAULIC KEY	
△ A	TO BOTTOM CYLINDER
△ B	TO TOP CYLINDER
△ C	PUMP PRESSURE IN
△ D	TO HYDRAULIC MOTOR
△ E	TO TANK RETURN

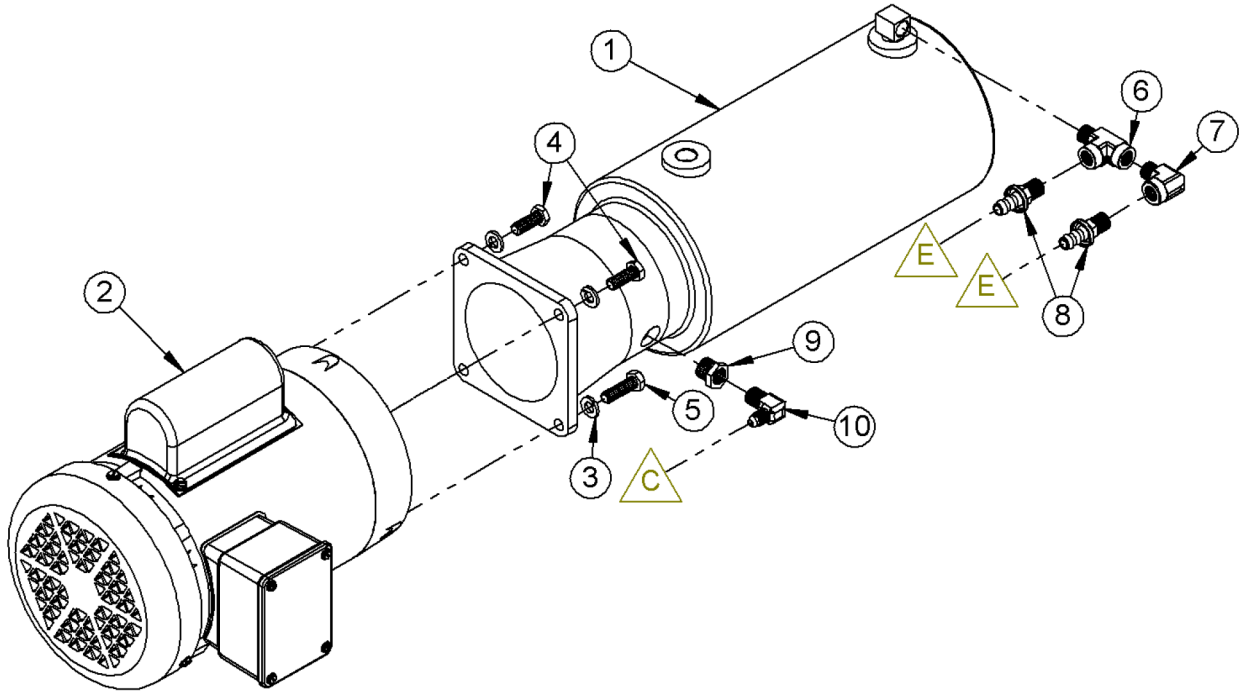
ITEM	DRUM ROLLER MODEL #	QTY.	PART #	DESCRIPTION
16	456-1-50-CE	1	5626-P	CONTROL BOX, 1PH/230V TIMER CE
16	456-3-50-CE	1	5628-P	CONTROL BOX, 3PH/400V TIMER CE

Operator's Manual for Morse 456-CE Series CE-Marked Hydra-Lift Drum Rollers
Serial Number 278575 to _____



ITEM NO.	PART NUMBER	DESCRIPTION	QTY.
1	648-P	CYLINDER, 3" X 16", SAE, 456	1
2	3610-P	HYD FIT, MALE ELBOW, SAE	2
3	2170-P	PIN, CYL, 1" DIA X 3", 456	2
4	64-P	ROLL PIN, 3/16 X 1-1/4	2

Operator's Manual for Morse 456-CE Series CE-Marked Hydra-Lift Drum Rollers
Serial Number 278575 to _____



ITEM NO.	PART NUMBER	DESCRIPTION	QTY.
1	M404-456-P	HYD POWER PACK, 456	1
2	SEE BELOW	MOTOR	1
3	1474-P	WASHER, 3/8 SPLIT LOCK	4
4	1572-P	HHCS, 3/8-16 X 1 GR2	2
5	535-P	HHCS, 3/8-16 X 1-1/4 GR5	2
6	1105-P	HYD FIT, RUN TEE, 456, 310	1
7	2118-P	HYD FIT, STREET EL, 1/4	1
8	1107-P	HYD FIT, 1/4 X 3/8 PUSH LOK	2
9	3299-P	PIPE THREAD REDUCER, 3/8, 310	1
10	765-P	HYD FIT, MALE ELBOW, FLARE 400	1

ITEM 2 - MOTOR				
ITEM	DRUM ROLLER MODEL #	QTY.	PART #	DESCRIPTION
2	456-1-50-CE	1	290-1-50-2P	MOTOR, 1HP, 1PH, 56C, 50HZ
2	456-3-50-CE	1	290-3-50-2P	MOTOR, 1HP, 3PH, 56C, 50HZ

Operator's Manual for Morse 456-CE Series CE-Marked Hydra-Lift Drum Rollers
Serial Number 278575 to _____

456 SPECIFICATION SHEET (CE Marked)	
Capacity: Liquid Load Dry Load	454 kg (100 Lb.) 182 kg (400 Lb.)
Drum Specs: Drum Diameter Drum Height	15.24 cm to 66.04 cm (6" to 26") up to 101.60 cm (40") tall
Drum RPM:	4 to 16 Variable Speed
Machine Height: Loading Position Rolling Position	152.40 cm (60") 88.90 cm (35")
Machine Floor Space: Loading Position Rolling Position	170.18 cm x 68.58 cm (67" Long x 27" Wide) 176.21 cm x 68.58 cm (69-3/8" Long x 27" Wide)
Enclosure Height:	160.66 cm (63.25")
Enclosure Floor Space:	223.52 cm x 101.60 cm (88" Long x 40" Wide)
Shipping Weight:	653.18 kg (1440 Lb.)
AC Motor Specs for Model 456-1-50-CE 1HP 1PH 1425 RPM 50HZ TEFC	VOLTS (AMP DRAW) 220V (6.2 Amps)
AC Motor Specs for Model 456-3-50-CE 1HP 3PH 1440 RPM 50HZ TEFC	VOLTS (AMP DRAW) 400V (1.8 Amps)
Max Hydraulic Pressure:	2100 PSI

Operator's Manual for Morse 456-CE Series CE-Marked Hydra-Lift Drum Rollers
Serial Number 278575 to _____

Declaration of Conformity

RF Solutions, LLC has tested the product to the current appropriate standards and finds that the product is in compliance with those requirements.

EMC Directive: **2014/30/EU**
Generic Emissions Standard: EN 61000-6-4:2007
Product Specific Emissions: EN 55011 Class A
Generic Immunity Standard: EN 61000-6-2: 2005
Immunity: EN 61000-4-2 Electrostatic Discharge
EN 61000-4-6 Conducted Susceptibility

Low Voltage Directive: **2014/35/EU**
Standard: EN 60204-1 Safety of Machinery

Machinery Directive: **2006/42/EC**
Standard: EN 60204 Safety of Machinery

Manufacturer's Name: **MORSE Mfg. Co., Inc.**
Manufacturer's Address: 103 Kuhn Rd.
Syracuse, New York, USA 13208
Product: Hydra-Lift Drum Roller
Model: 456 Series
Serial Number: 273420 and up

This Certificate of Compliance issued November 19, 2014 is valid for the test sample of the product specified above and that it conforms to the Directive(s) and Standard(s).

Signature: 

Nathan Andrews
President
Morse Manufacturing Company, Inc.
103 Kuhn Rd.
Syracuse, New York, USA 13208
Phone: (315)-437-8475
Fax: (315)-437-1029