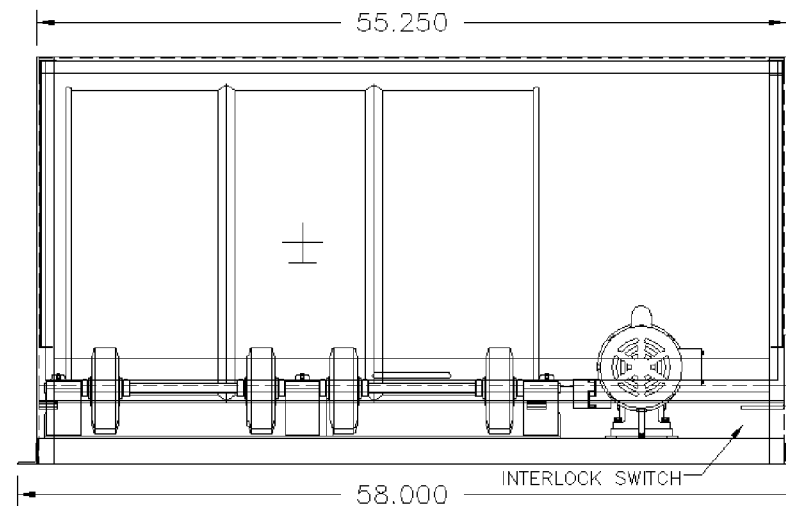
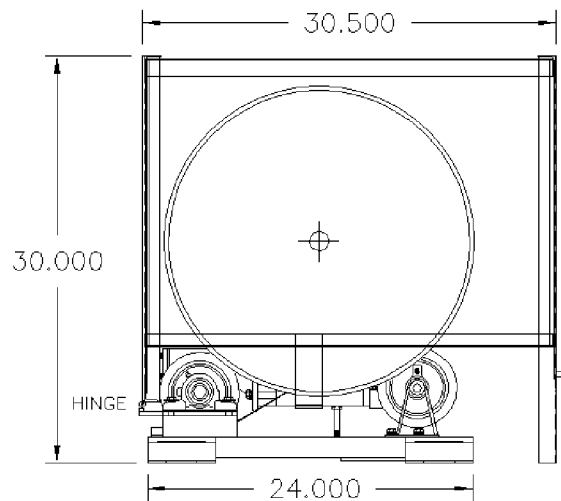
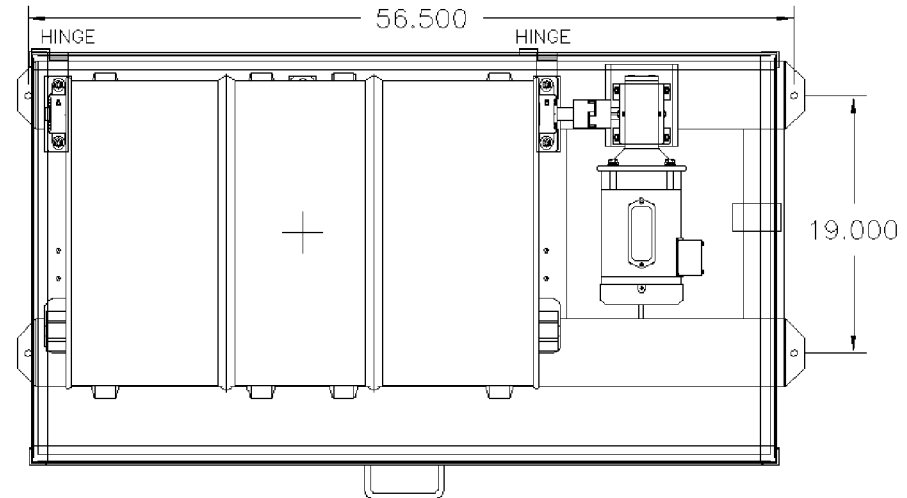


Model 5154-CAGE Dimensions Enclosure for Stationary Drum Roller

- CONCEPT DRAWING OF 5154-CAGE SHOWN W/ A 55GAL STEEL DRUM ON A 1-5154 DRUM ROLLER
- INCLUDES INTERLOCK SWITCH (NOT SHOWN)
- CAGE BOLTS ONTO DRUM ROLLER USING OUTSIDE BEARING BLOCKS



Model 5154-CAGE Dimensions Enclosure for Stationary Drum Roller

