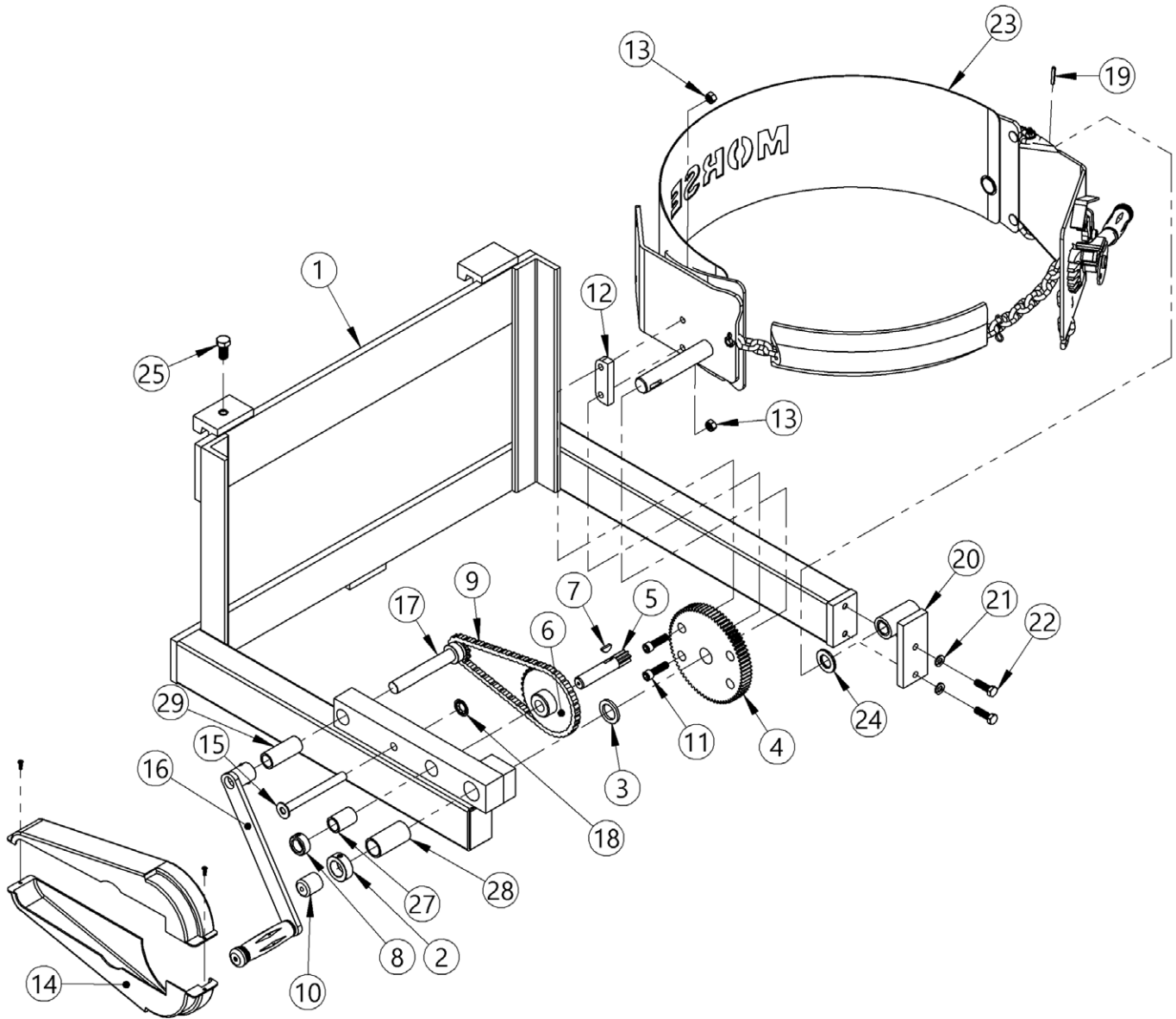


Parts Diagram for Morse Part # 5282-P Yoke Assembly

Used on Morse 510 Series Vertical-Lift Drum Pourers with manual drum tilt



ITEM #	PART #	DESCRIPTION	QTY.
1	5286-P	YOKE WELD, MT, ITA2	1
2	16-P	COLLAR, 1" ID	1
3	29-P	SPACER, SPUR GEAR .15"	1
4	23-P	GEAR, SPUR, 72T, 1" HOLE	1
5	14-P	GEAR, PINION, 7 TOOTH	1
6	13-P	SPROCKET #35 36T, 3/4" BORE	1
7	735-P	KEY, WOODRUFF, SIZE 9, ASA606	1
8	15-P	COLLAR, 3/4" ID	1
9	12-P	CHAIN, ROLLER, #35 W/ M LINK	1
10	4235-P	CAP, PLASTIC, DRIVE SHAFT	1
11	4370-P	SHCS, 3/8-16 X 1-3/8	2
12	4473-P	SPACER, SPUR GEAR, U	1
13	1169-P	NUT, 3/8-16 REV HEX LOCK	2
14	4285-P	COVER SET, 30:1 GEARS, REG	1

ITEM #	PART #	DESCRIPTION	QTY.
15	100-P	STOP PIN, HAND CRANK, 1/2 X 5	1
16	5U-P	HAND CRANK, W/ SOCKET TUBE	1
17	5135-P	SHAFT, 12T SPROCKET & SPACER	1
18	718-P	NUT, PUSH, 1/2"	1
19	64-P	ROLL PIN, 3/16 X 1-1/4	2
20	3849B-P	BEARING ASM, SLIDING IDLER	1
21	1474-P	WASHER, 3/8 SPLIT LOCK	2
22	535-P	HHCS, 3/8-16 X 1-1/4 GR5	2
23	5000-P	SADDLE ASM, MORCINCH, MOR	1
24	55-P	WASHER, 3/4 SAE FL 1-1/2 OD	1
25	4364-P	HHCS, 1/2-13 X 1" GR2	1
26	7-P	BEARING, 3/4" ID X 1-1/2"	1
27	18-P	BEARING, 1" ID X 2-1/2"	1
28	19-P	BEARING, 3/4" ID X 2-1/2"	1