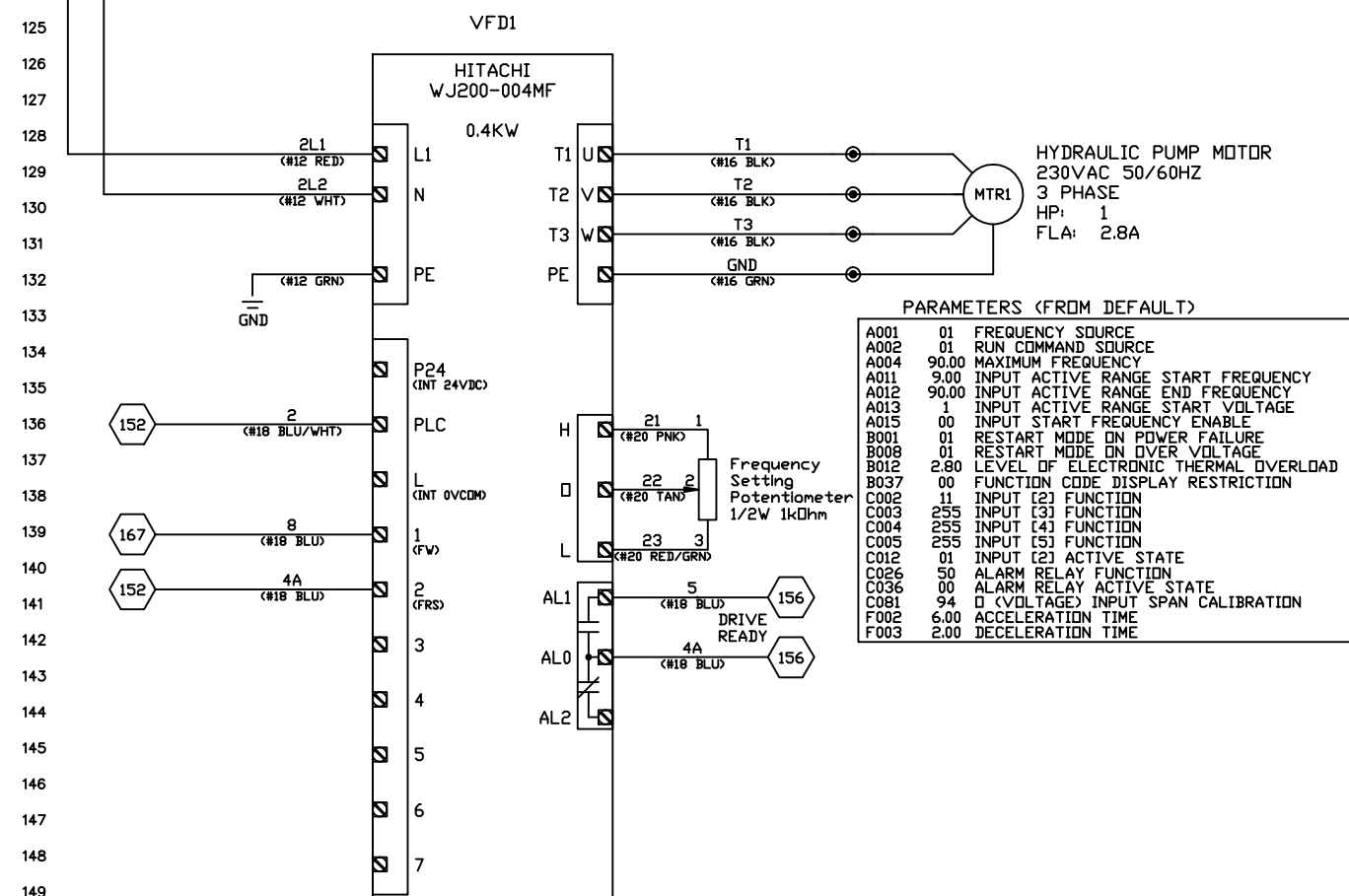
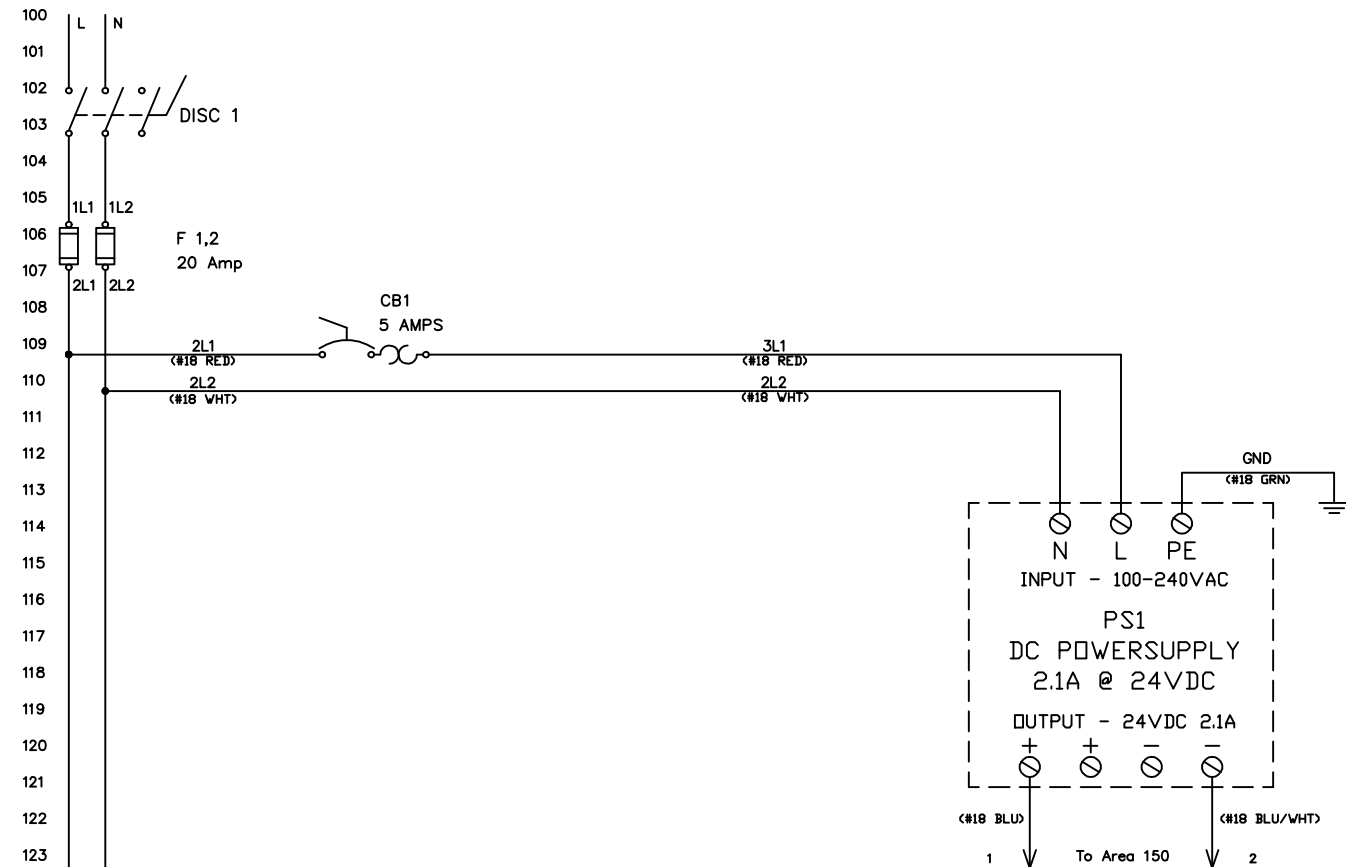


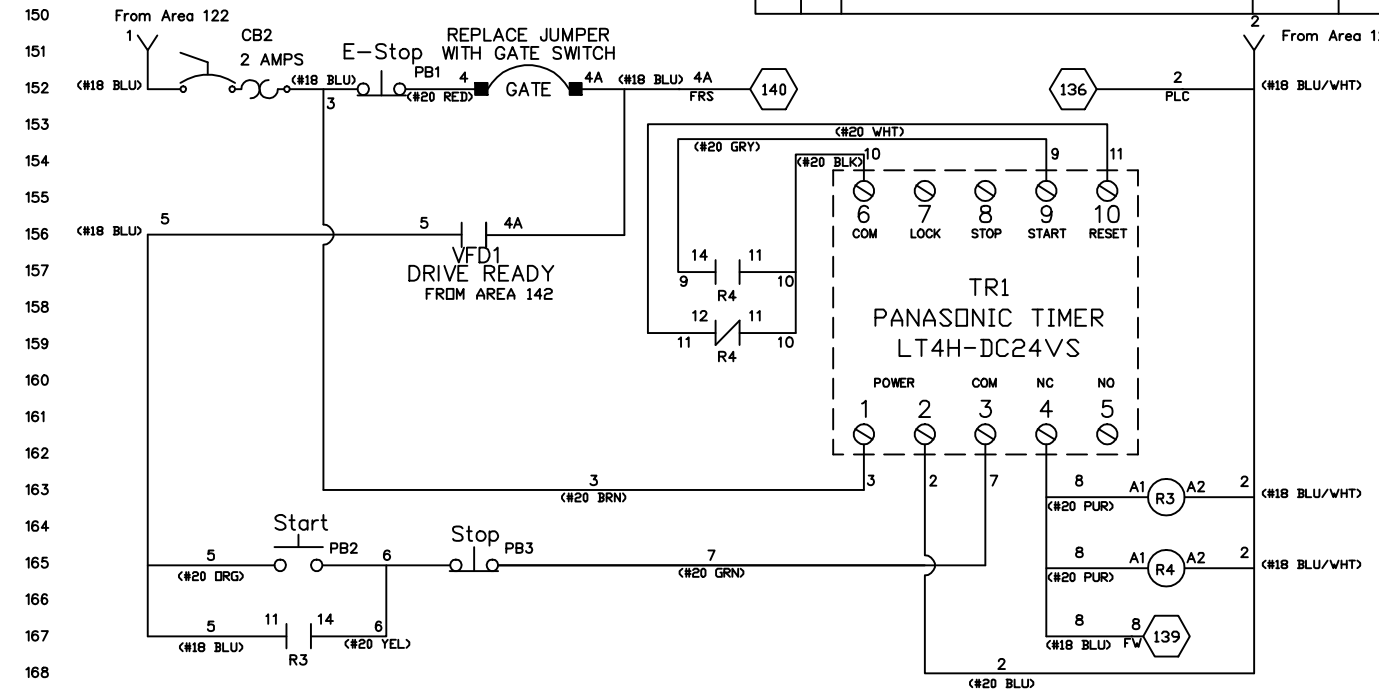
MAINS POWER
115 VAC 1 Phase
20 AMP



PARAMETERS (FROM DEFAULT)

A001	01	FREQUENCY SOURCE
A002	01	RUN COMMAND SOURCE
A004	90.00	MAXIMUM FREQUENCY
A011	9.00	INPUT ACTIVE RANGE START FREQUENCY
A012	90.00	INPUT ACTIVE RANGE END FREQUENCY
A013	1	INPUT ACTIVE RANGE START VOLTAGE
A015	00	INPUT START FREQUENCY ENABLE
B001	01	RESTART MODE ON POWER FAILURE
B008	01	RESTART MODE ON OVER VOLTAGE
B012	2.80	LEVEL OF ELECTRONIC THERMAL OVERLOAD
B037	00	FUNCTION CODE DISPLAY RESTRICTION
C002	11	INPUT [2] FUNCTION
C003	255	INPUT [3] FUNCTION
C004	255	INPUT [4] FUNCTION
C005	255	INPUT [5] FUNCTION
C012	01	INPUT [2] ACTIVE STATE
C026	50	ALARM RELAY FUNCTION
C036	00	ALARM RELAY ACTIVE STATE
C081	94	D (VOLTAGE) INPUT SPAN CALIBRATION
F002	6.00	ACCELERATION TIME
F003	2.00	DECELERATION TIME

ISSUE	REV	DESCRIPTION	DATE	APPROVED
N/A	01	BOM CHANGE, CB2 REPLACES F4	04/10/17	PCW



MANUFACTURER	PART NUMBER	DESCRIPTION	QUANTITY
Eurobex (EXM)	5412 ES 161608	Enclosure, 16" x 16" x 8"	1
Emerson-Sola	SVL 2-24-100	Power Supply, Input 100-240VAC, Output 24VDC @2.1A	1
Panasonic	LT4H-DC24VS	Panasonic Digital Timer	1
Sprecher+Schuh	PIR6W-1P-24VDC	Relay	2
Hitachi	WJ200-004MF	Hitachi WJ200 VFD, 0.4KW @ 115VAC 1-PHASE	1
Sprecher+Schuh	D7P-POT3A	Potentiometer, 1K	1
Sprecher+Schuh	D7P-E202PX01	Pushbutton, Extended Black "STOP", 1NC	1
Sprecher+Schuh	D7P-F301PX10	Pushbutton, Flush Green "START", 1NO	1
Sprecher+Schuh	D7P-MT44	E-Stop Operator, Twist-To-Release, 40mm	1
Sprecher+Schuh	D7-ALP	Latch, Plastic	1
Sprecher+Schuh	D7-X01S	Guardian Block, NC	1
Sprecher+Schuh	D7-15YSE112	E-Stop Inscription Ring	1
Sprecher+Schuh	LA7-32-1753	Base Mounted 3 Pole Switch	1
Sprecher+Schuh	LFS2-N-6-175	Switch Handle Assembly	1
Sprecher+Schuh	LA2-G3393	Metal Operating Shaft	1
Sprecher+Schuh	31296	Fuse Holder, 2-Pole, Class CC Fuses	1
Ferraz Shawmut	ATDR20	Class CC Fuse, 20 Amp, Time Delay	2
Electrotech	WR-35AL/S	DIN Rail, 35mm x 1meter	1
Iboco	T1-0510G	WIRE DUCT, 0.50" x 1.0" x 2M	1
Sprecher+Schuh	V7-WG4	Ground Terminal	1
Sprecher+Schuh	V7-W4	Terminal	11
Sprecher+Schuh	V7-EA35	End Anchor	8
Sprecher+Schuh	V7-EB3	End Barrier	1
Sprecher+Schuh	V7-PP3	Partition	3
Sprecher+Schuh	V7-SM6X12 (Custom)	Marker Card (Custom Printed)	1
Sprecher+Schuh	L8-5/1/B	Circuit Breaker, 5Amp, B-Curve	1
Sprecher+Schuh	L8-2/1/B	Circuit Breaker, 2Amp, B-Curve	1
Sprecher+Schuh	V7-CJ6-2	Center Jumper	2
McMaster-Carr	5891T111	Electrical Hazard Warning Label, 1-3/4"W x 2-1/2"H	2
		Legend Plate, 0.75" x 0.75", "0"	1
		Legend Plate, 0.75" x 0.75", "1"	1

TIMER DIP SETTINGS

1	<input type="checkbox"/>	ON
2	<input type="checkbox"/>	OFF
3	<input type="checkbox"/>	OFF
4	<input type="checkbox"/>	ON
5	<input type="checkbox"/>	ON
6	<input type="checkbox"/>	OFF
7	<input type="checkbox"/>	OFF
8	<input type="checkbox"/>	ON

DESIGNED BY	PCW
CHECKED BY	PCW
DATE DRAWN	12/12/16
DATE GOOD	04/10/17

AACI
APPLIED AUTOMATION CONTROLS INC.
1240 WOLF STREET, SYRACUSE NY 13208
PHONE 315-453-5670 FAX 315-453-5681

THIS MATERIAL IS THE EXCLUSIVE PROPERTY OF AACI APPLIED AUTOMATION CONTROLS INC. AND MUST BE RETURNED TO AACI IMMEDIATELY UPON REQUEST. THIS MATERIAL AND INFORMATION ILLUSTRATED OR CONTAINED HEREIN MAY NOT BE REPRODUCED, COPIED, USED OR TRANSMITTED IN WHOLE OR IN PART IN ANY WAY WITHOUT THE PRIOR WRITTEN CONSENT OF AACI.

TITLE	MORSE	DRAWING NO.	5555-P VFD PANEL (ELECTRICAL)	DATE	04/10/17	REV	01
-------	-------	-------------	-------------------------------	------	----------	-----	----