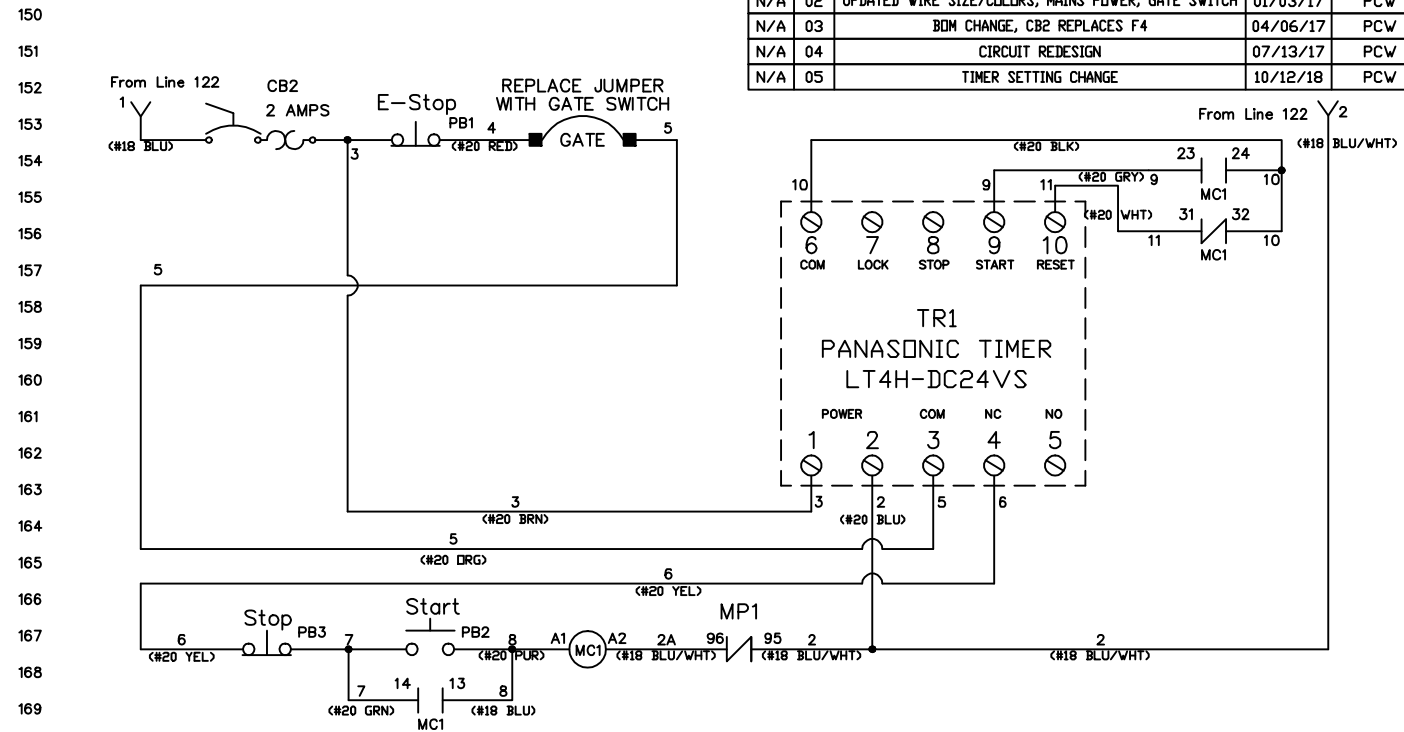
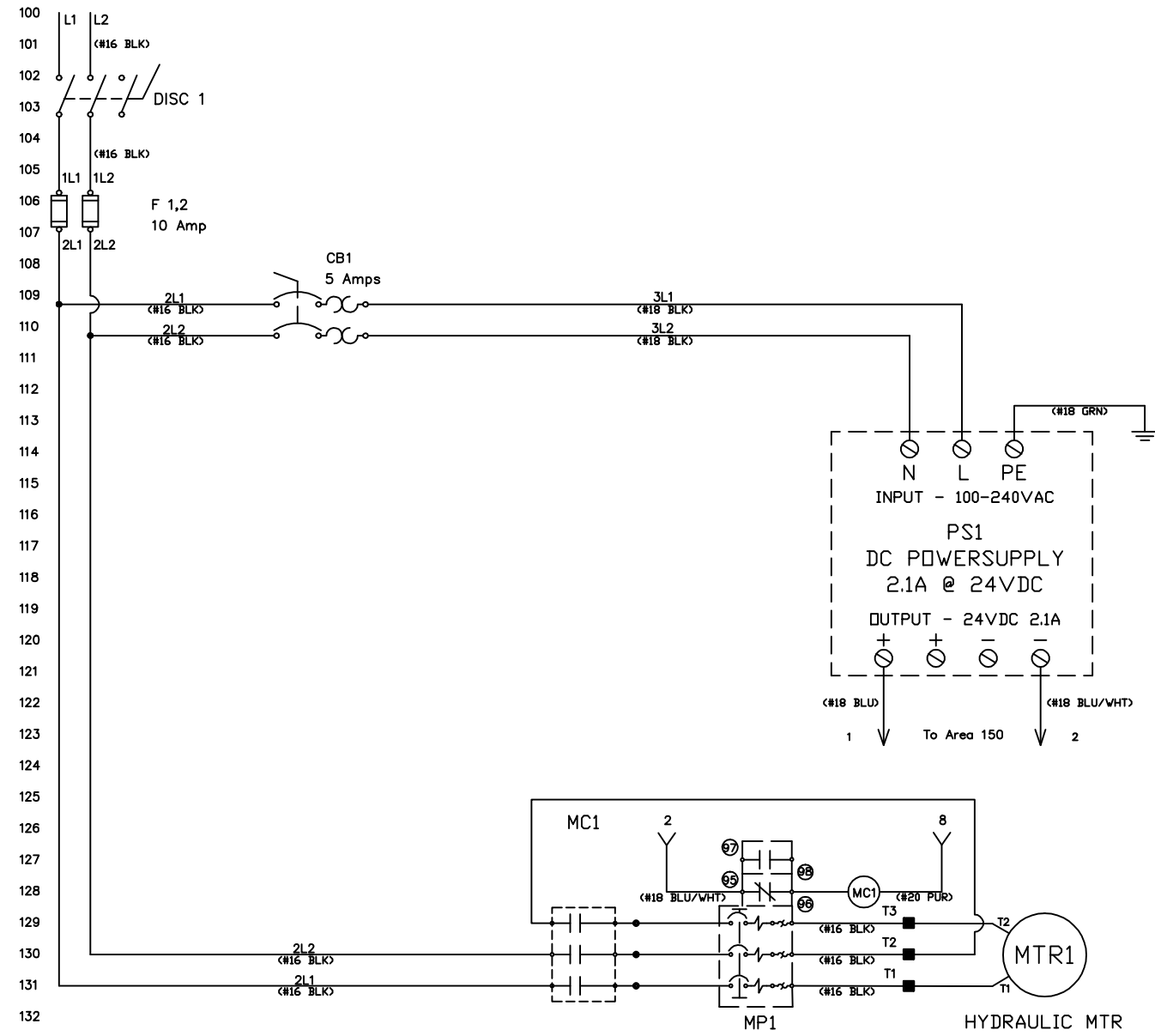


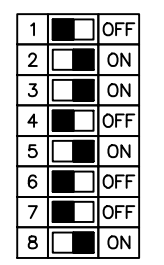
MAINS POWER
230 VAC 1 Phase
15 AMP



REV	DESCRIPTION	DATE	APPROVED
01	UPDATED WIRE SIZE/COLOR, BOM	03/14/16	PCW
02	UPDATED WIRE SIZE/COLORS, MAINS POWER, GATE SWITCH	01/03/17	PCW
03	BOM CHANGE, CB2 REPLACES F4	04/06/17	PCW
04	CIRCUIT REDESIGN	07/13/17	PCW
05	TIMER SETTING CHANGE	10/12/18	PCW

MANUFACTURER	PART NUMBER	DESCRIPTION	QUANTITY
Iboco	T1-0510G	WIRE DUCT	1
Electrotech	WR-35AL/S	DIN Rail	1
Eurobex (EXM)	5412 ESCH121206	Enclosure, NEMA 4-12, 12" x 12" x 6"	1
Ferraz Shawmut	ATDR10	Class CC Fuse, 10 Amp, Time Delay	2
McMaster-Carr	5891T111	Electrical Hazard Warning Label	2
Mencom	PCG-1/2X	Cable Gland	1
Mencom	PCG-1/2	Cable Gland	2
Mencom	212PA	Nut	3
Panasonic	LT4H-DC24VS	LT4H Digital Timer, 24VDC, Relay Output	1
Emerson-Sola	SVL 2-24-100	Power Supply, Input 100-240VAC, Output 24VDC @2.1A	1
Sprecher+Schuh	CA8-12C-10-24D	Contactor	1
Sprecher+Schuh	CA8-P11	Auxiliary Contact Block, 1NO/1NC	1
Sprecher+Schuh	CT8-B75	Overload Relay 5.5 to 7.5A	1
Sprecher+Schuh	D7P-E202PX01	Pushbutton, Extended Black "STOP", 1NC	1
Sprecher+Schuh	D7P-F301PX10	Pushbutton, Flush Green "START", 1NO	1
Sprecher+Schuh	D7M-MT44MX01S	E-Stop Operator	1
Sprecher+Schuh	D7-15YSE112	E-Stop Inscription Ring	1
Sprecher+Schuh	LA7-16-1753	Base Mounted 3 Pole Switch	1
Sprecher+Schuh	LFS2-N-6-175	Switch Handle Assembly	1
Sprecher+Schuh	LA2-G3393	Metal Operating Shaft	1
Sprecher+Schuh	31296	Fuse Holder, 2-Pole, CC Class	1
Sprecher+Schuh	V7-WG4	Ground Terminal	1
Sprecher+Schuh	V7-W4	Terminal	10
Sprecher+Schuh	V7-EA35	End Anchor	9
Sprecher+Schuh	V7-EB3	End Barrier	1
Sprecher+Schuh	V7-PP3	Partition	3
Sprecher+Schuh	V7-SM6X12	Marker Card	1
Sprecher+Schuh	L8-5/2/B	Circuit Breaker, 5 Amp, B-Curve	1
Sprecher+Schuh	L8-2/1/B	Circuit Breaker, 2 Amp, B-Curve	1
Sprecher+Schuh	V7-CJ6-2	Center Jumper	2

TIMER DIP SETTINGS



100
101
102
103
104
105
106
107
108
109
110
111
112
113
114
115
116
117
118
119
120
121
122
123
124
125
126
127
128
129
130
131
132
133
134
135
136
137
138
139
140
141
142
143
144
145
146
147
148
149

150
151
152
153
154
155
156
157
158
159
160
161
162
163
164
165
166
167
168
169
170
171
172
173
174
175
176
177
178
179
180
181
182
183
184
185
186
187
188
189
190
191
192
193
194
195
196
197
198
199

DESIGNED BY PCW	<p>AACI APPLIED AUTOMATION CONTROLS INC. 1240 WOLF STREET, SYRACUSE NY 13208 PHONE 315-453-5670 FAX 315-453-5681</p>	
CHECKED BY PCW		
DATE DRAWN 09/17/2014		
DATE GOOD 10/12/2018		
TITLE MORSE 5626-P (ELECTRICAL) 230VAC 50/60HZ 1PH 1HP		
DRAWN BY AACI091714A	1 of 1	05

THIS MATERIAL IS THE EXCLUSIVE PROPERTY OF AACI. ANY REPRODUCTION OR USE OF THIS MATERIAL WITHOUT THE WRITTEN CONSENT OF AACI IS STRICTLY PROHIBITED. THIS MATERIAL AND INFORMATION ILLUSTRATED OR CONTAINED HEREIN MAY NOT BE REPRODUCED, COPIED, USED OR TRANSMITTED IN ANY FORM OR BY ANY MEANS WITHOUT THE PRIOR WRITTEN CONSENT OF AACI.