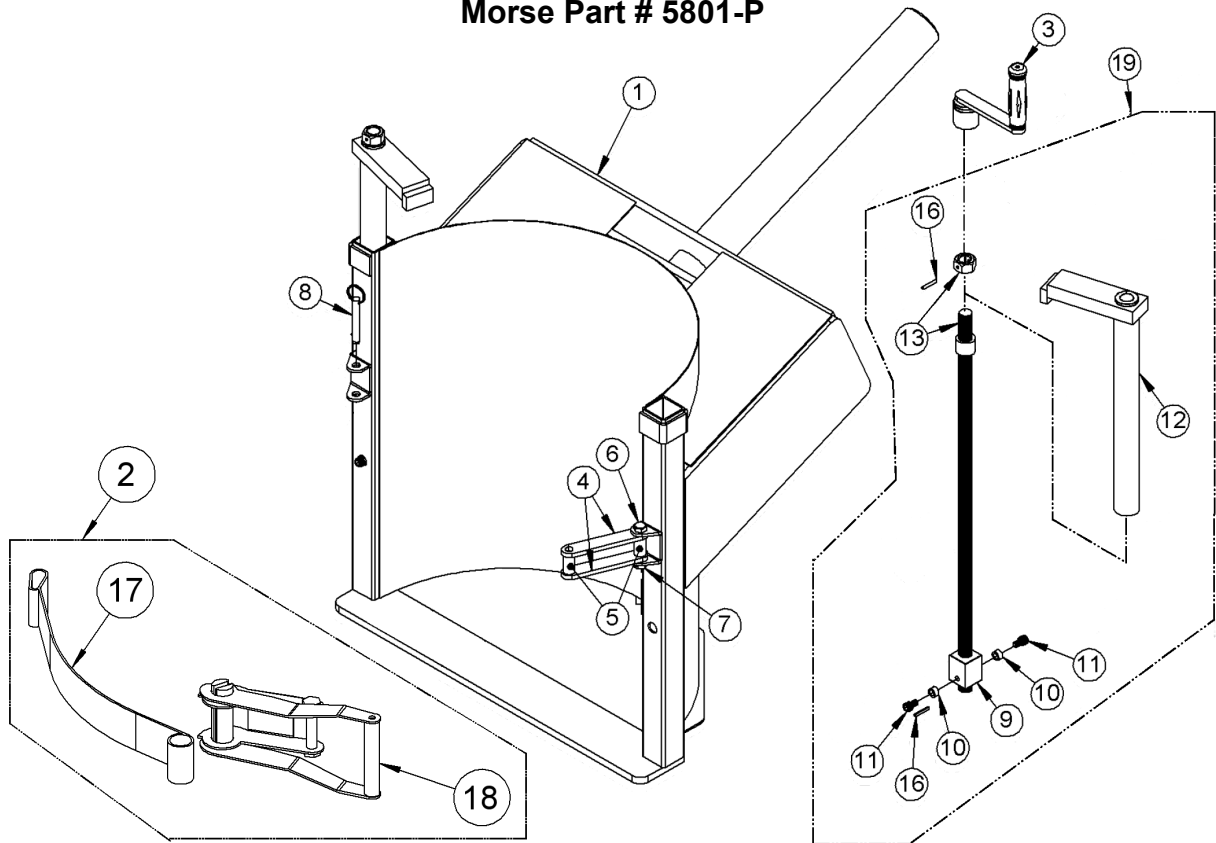


Parts Diagram for Drum Holder Used On:

- Morse 309 Series Drum Tumblers™ with Serial Numbers 277359 to 295662
- Morse 310 Tilt-To-Load Drum Tumblers with Serial Numbers 276434 to 295662
- Morse 311 Drum Tumblers with Automated Control Package with Serial Numbers 276499 to 295662

Drum Holder (Saddle Assembly)
Morse Part # 5801-P



ITEM NO.	PART NUMBER	DESCRIPTION	QTY.
1	5802-P	SADDLE WELD, 309, 310, 311	1
2*	4449-P	STRAP RATCHET ASM, 2" X 3'	1
3	3145-P	HAND CRANK, W/ SOCKET, 310	1
4	5790-P	LINK, CONNECTOR, RATCHET	2
5	5792-P	SPACER, CONNECTOR, RATCHET	2
6	4317-P	HHCS, 1/2-13 X 3"	1
7	810-P	NUT, 1/2-13 REV HEX LOCK	1
8	5804-P	PIN, QUICK RELEASE, 1/2 X 2.5	1
9	3269-P	CLAMP NUT BLOCK, 310	2
10	3271-P	CLAMP NUT BLOCK SPACER, 310	4
11	22-P	3/8 - 24 x 5/8" SHCS	4
12	4553-P	CLAMP PIPE W/ BEARING WELD 310	2
13	3272-P	CLAMP SCREW WELD, 310	2
16	64-P	ROLL PIN, 3/16 X 1-1/4	4
17	5497-P	WEB STRAP, POLYESTER, 4449-P	1
18	5498-P	RATCHET ONLY, WEB STRAP 4449-P	1
19	4553F-P	CLAMP WELD / SCREW ASM 310	1

* Recommended spare parts