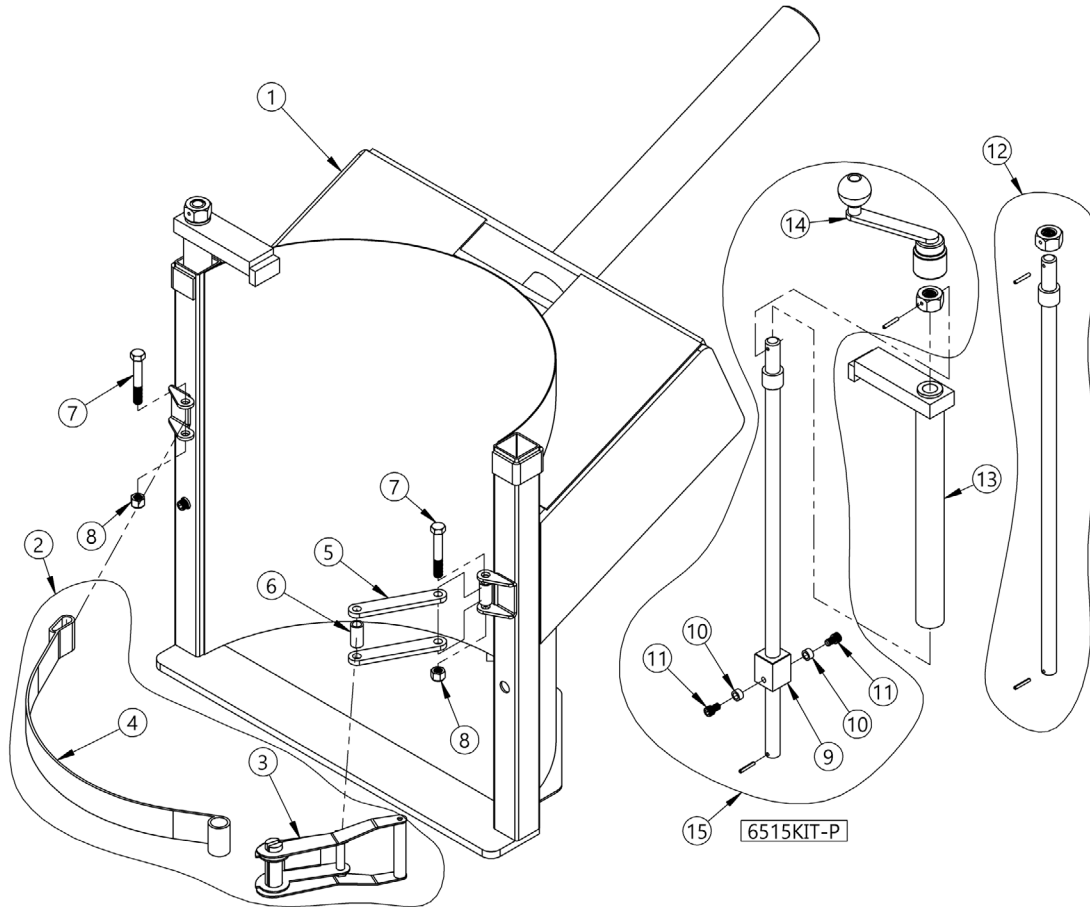


Parts Diagram for Drum Holder Used On:

- Morse 309 Series Drum Tumblers™ with Serial Numbers 315601 to _____
- Morse 310 Tilt-To-Load Drum Tumblers with Serial Numbers 315601 to _____
- Morse 311 Drum Tumblers with Automated Control Package with Serial Numbers 315601 to _____



ITEM NO.	PART NUMBER	DESCRIPTION	QTY.
1	5802-P	SADDLE WELD, 309, 310, 311	1
2	4449-P	STRAP ASM W/ RATCHET	1
3	5498-P	RATCHET ONLY, 4449-P	1
4 *	5497-P	WEB STRAP ONLY, 4449-P	1
5	5790-P	LINK, CONNECTOR, RATCHET	2
6	5792-P	SPACER, CONNECTOR, RATCHET	2
7	6272-P	HHCS, 1/2-13 X 3-1/4"	2
8	6266-P	NUT, 1/2-13 NYLON LOCK	3
9	6517-P	CLAMP NUT BLOCK, ACME 310	1
10	3271-P	CLAMP NUT BLOCK SPACER, 310	2
11	22-P	SHCS, 3/8-24 X 5/8	2
12	6515-P	SCREW ASM, CLAMP, ACME, 310	1
13	4553-P	CLAMP PIPE W/ BEARING WELD 310	1
14	6525-P	HAND CRANK, SOCKET, ACME, 310	1
15 *	6515KIT-P	KIT, SCREW ASM REPLACE, ACME	1

* Recommended spare parts

