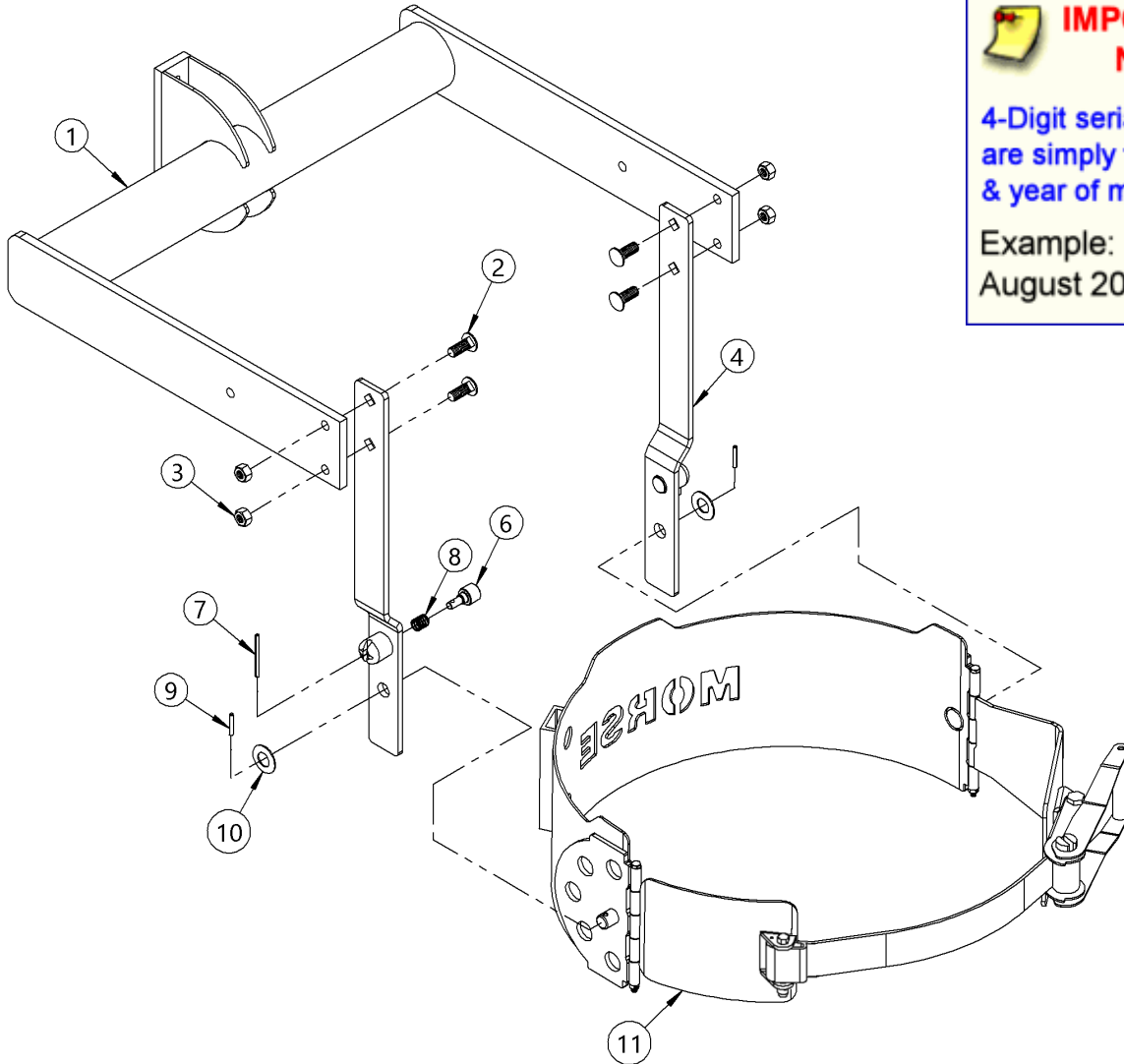


Parts Diagram for Part # 6036-P
Overhead Assembly for Morse 82A Series Mobile-Karrier / Palletizer
Serial Number 0218 to ____ (MMYY)



 **IMPORTANT NOTE**
4-Digit serial numbers are simply the month & year of manufacture
Example: 0802 is August 2002

ITEM NO.	PART NUMBER	DESCRIPTION	QTY.
1	6037-P	OVERHEAD WELD, 82A, 82GT	1
2	805-P	BOLT, 1/2-13 X 1-1/4 CARRIAGE	4
3	810-P	NUT, 1/2-13 REV HEX LOCK	4
4	6033-P	LINK ASM, 80i	2
6	59-P	PLUNGER, 80, 85	1
7	61-P	ROLL PIN, 3/16 X 2-1/2	1
8	60-P	SPRING, PLUNGER, 80, 85	1
9	64-P	ROLL PIN, 3/16 X 1-1/4	2
10	62-P	WASHER, 3/4 SPRING	2
11	102Z-P	SADDLE ASM, 11GA, 80i, 85i, 82	1