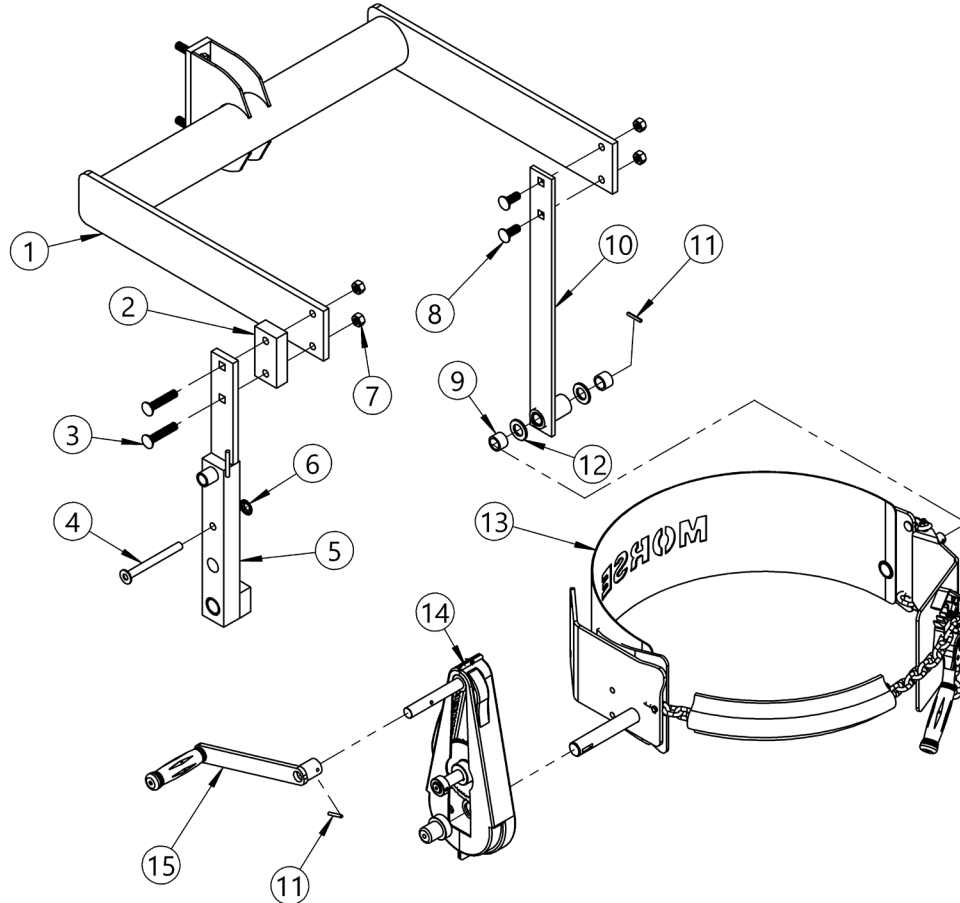


Parts Diagram for Part # 6040-P Overhead Assembly
Used on Morse 82A-GT Series
with Serial Number 414812 to _____



ITEM NO.	PART NUMBER	DESCRIPTION	QTY.
1	6037-P	OVERHEAD WELD, 82A, 82GT	1
2	6813-P	SPACER, BOLT ON, 82A-GT	1
3	5815-P	BOLT, 1/2-13 X 2-1/2 CARRIAGE	2
4	100-P	STOP PIN, HAND CRANK, 1/2 X 5	1
5	6043W-P	POWER ARM ASM, BOLT ON, 82A	1
6	718-P	NUT, PUSH, 1/2"	1
7	810-P	NUT, 1/2-13 REV HEX LOCK	4
8	805-P	BOLT, 1/2-13 X 1-1/4 CARRIAGE	2
9	1411-P	SPACER, SHAFT W/ 12T SPROCKET	2
10	6041B-P	IDLER ARM W/ BRG, 82A GEARED	1
11	64-P	ROLL PIN, 3/16 X 1-1/4	2
12	55-P	WASHER, 3/4 SAE FL 1-1/2 OD	2
13	5000-P	SADDLE ASM, MORCINCH, MOR	1
14	BOM-UREG	POWER TRAIN, U, REG POWER ARM	1
15	5U-P	HAND CRANK, W/ SOCKET TUBE	1