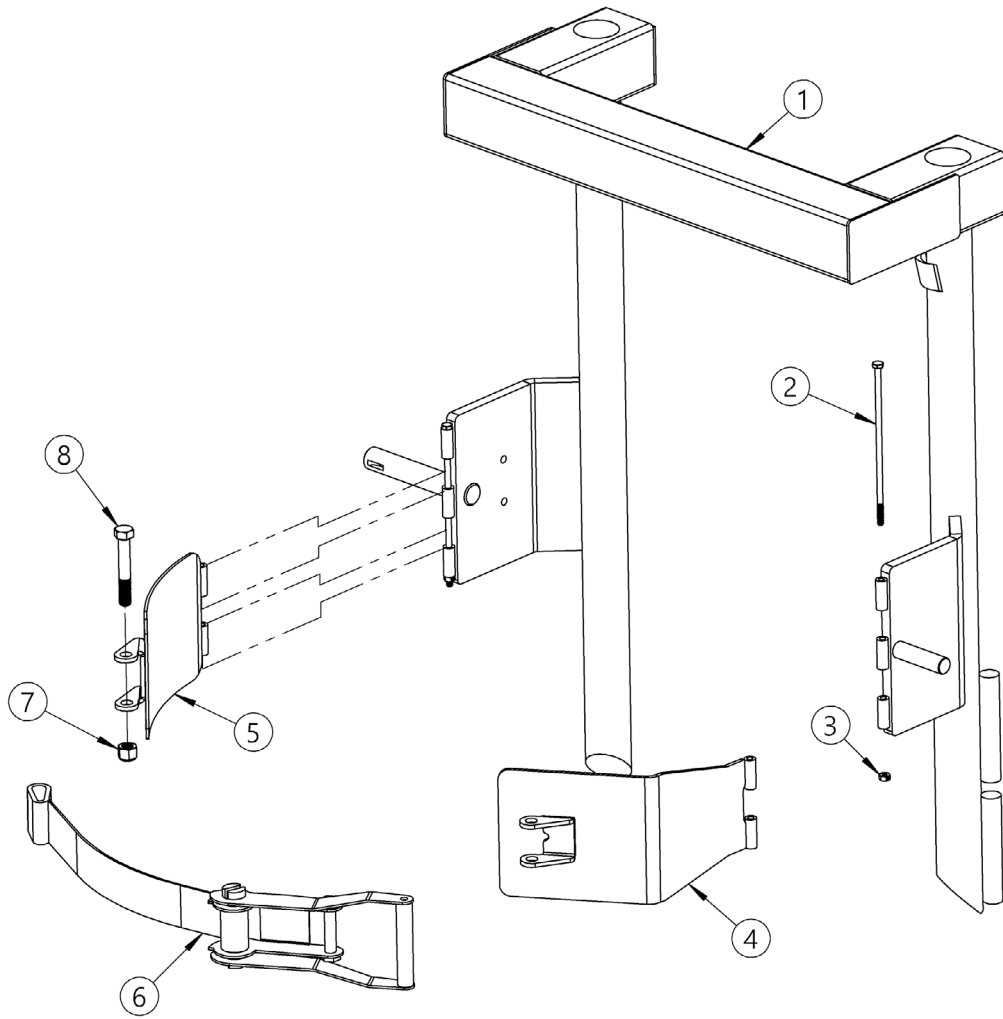


Parts Diagram for Drum Holder (Saddle) Assembly
used on Morse 405 Series Omni-Lift Karriers
Serial Number 0319 to ____ (MMYY)



ITEM NO.	PART NUMBER	DESCRIPTION	QTY.
1	6131-P	SADDLE WELD, STRAP, WELD	1
2	1296-P	HHCS, 1/4-20 X 7-1/2 GR5	2
3	1297-P	NUT, 1/4-20 REV HEX LOCK	2
4	5953-P	RATCHET PLATE WELD, 85I	1
5	6012-P	HINGED LINK, STRAP, 102Z-P	1
6	4449-P	STRAP ASM W/ RATCHET	1
7	6266-P	NUT, 1/2-13 NYLON LOCK	1
8	6272-P	HHCS, 1/2-13 X 3-1/4"	1