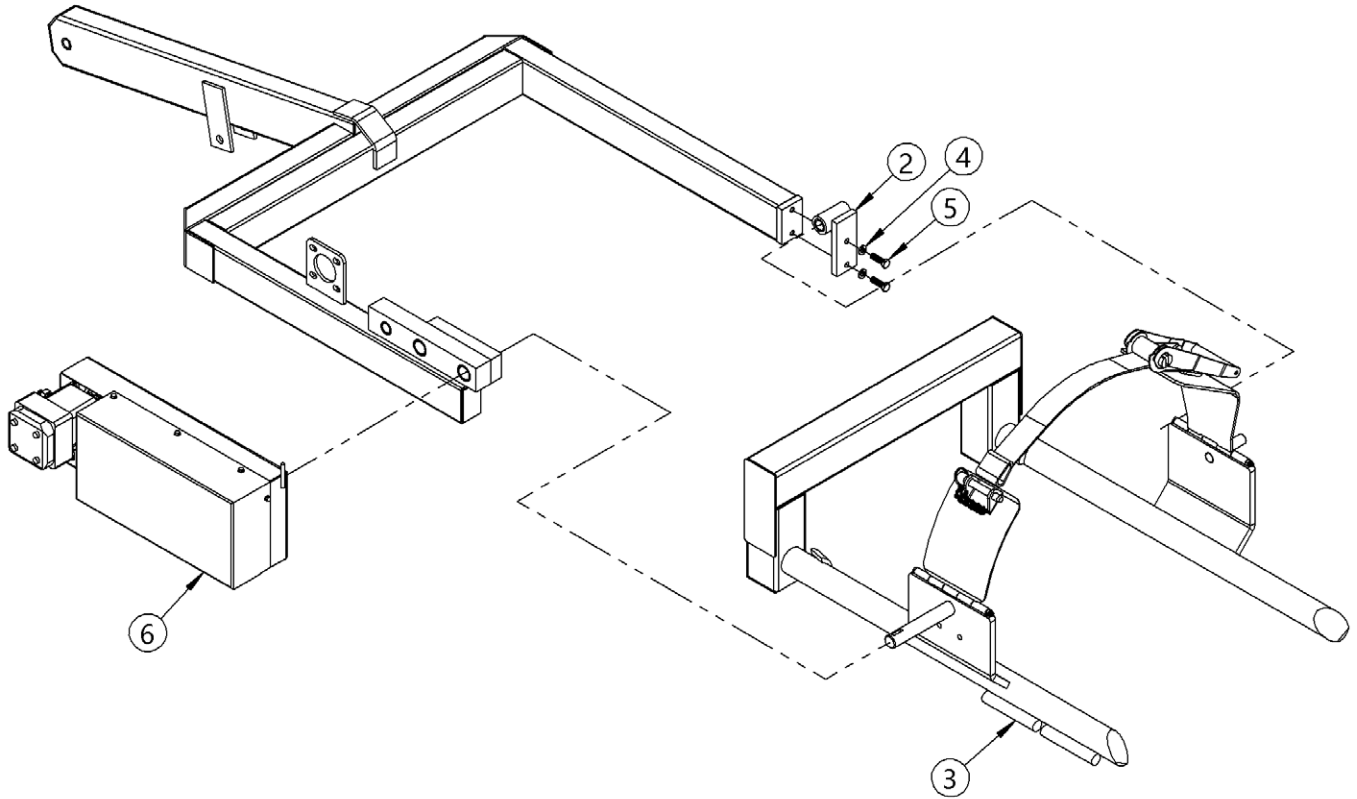


Parts Diagram for Power Tilt Overhead Assembly
used on Morse 405 Series Omni-Lift Karriers
Serial Number 0617 to ____ (MMYY)



ITEM NO.	PART NUMBER	DESCRIPTION	QTY.
2	3849B-P	BEARING ASM, SLIDING IDLER	1
3	6130-P	SADDLE ASM, STRAP, 405	1
4	1474-P	WASHER, 3/8 SPLIT LOCK	2
5	535-P	HHCS, 3/8-16 X 1-1/4 GR 5 ZINC	2
6	NOT SOLD SEPARATELY - SEE POWER TRAIN PARTS DIAGRAM		