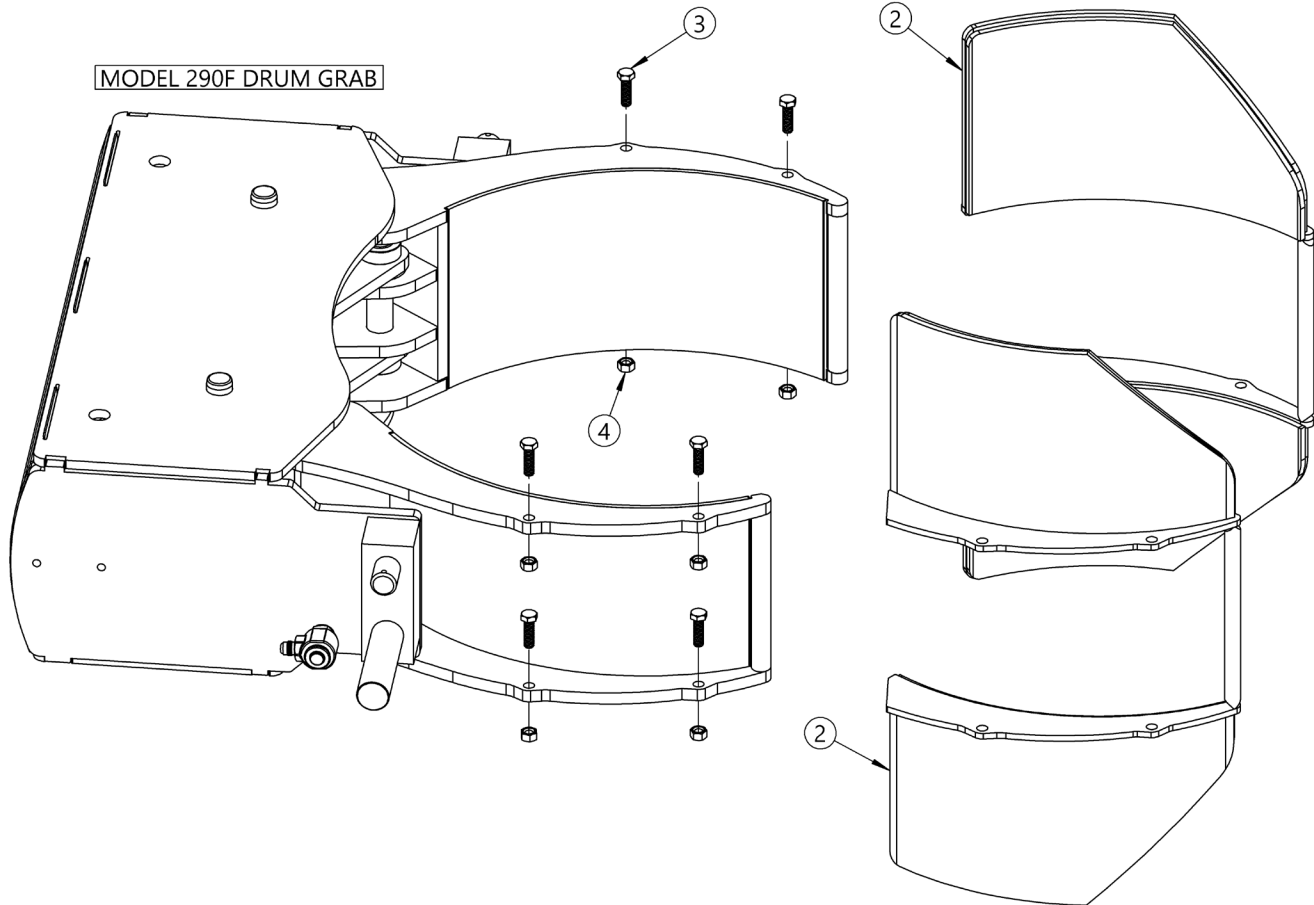


**Parts List and Diagram for Morse Kit # 6172XL-P Drum Pad Kit for Model 290F
 Serial Number 314825 to current**



ITEM NO.	PART NUMBER	DESCRIPTION	QTY.
2	6166XL-P	DRUM PAD, XL, 290F	2
3	535-P	HHCS, 3/8-16 X 1-1/4 GR 5 ZINC	8
4	149-P	NUT, 3/8-16 FIN HEX	8