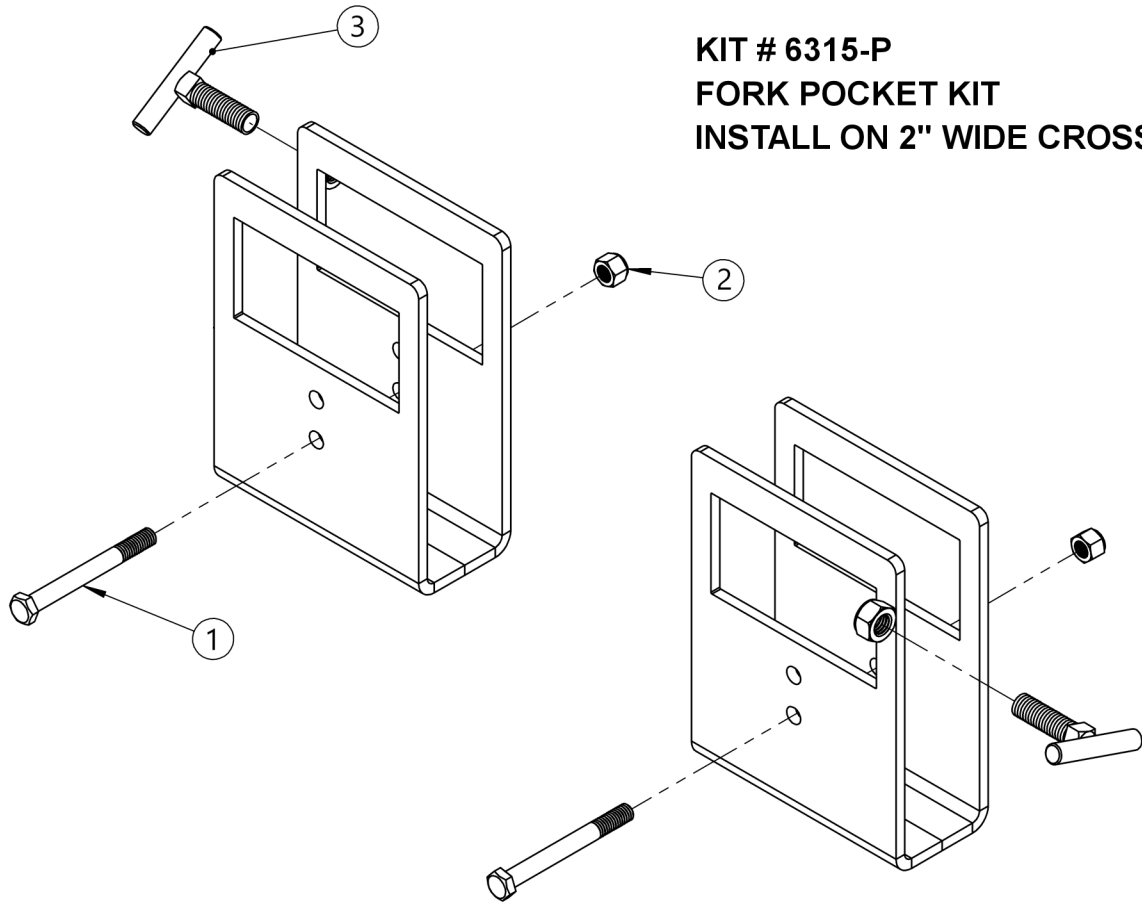


Kit # 6315-P - Fork Pocket Kit: Add fork pockets to below-hook drum lifter.
Install on Model 85A, 85G, 85i, 86, 185A, 185G, 185A-HD or 185G-HD with 2" wide cross tube.
NOT for model with spark resistant parts.



KIT # 6315-P
FORK POCKET KIT
INSTALL ON 2" WIDE CROSS TUBE

ITEM NO.	PART NUMBER	DESCRIPTION	QTY.
1	4381-P	HHCS, 3/8-16 X 3-1/2 GR5	2
2	3981-P	NUT, 3/8-16 NYLON LOCK	2
3	1372-P	TEE HANDLE, HDPS BRACKET, 1-1/2	2

