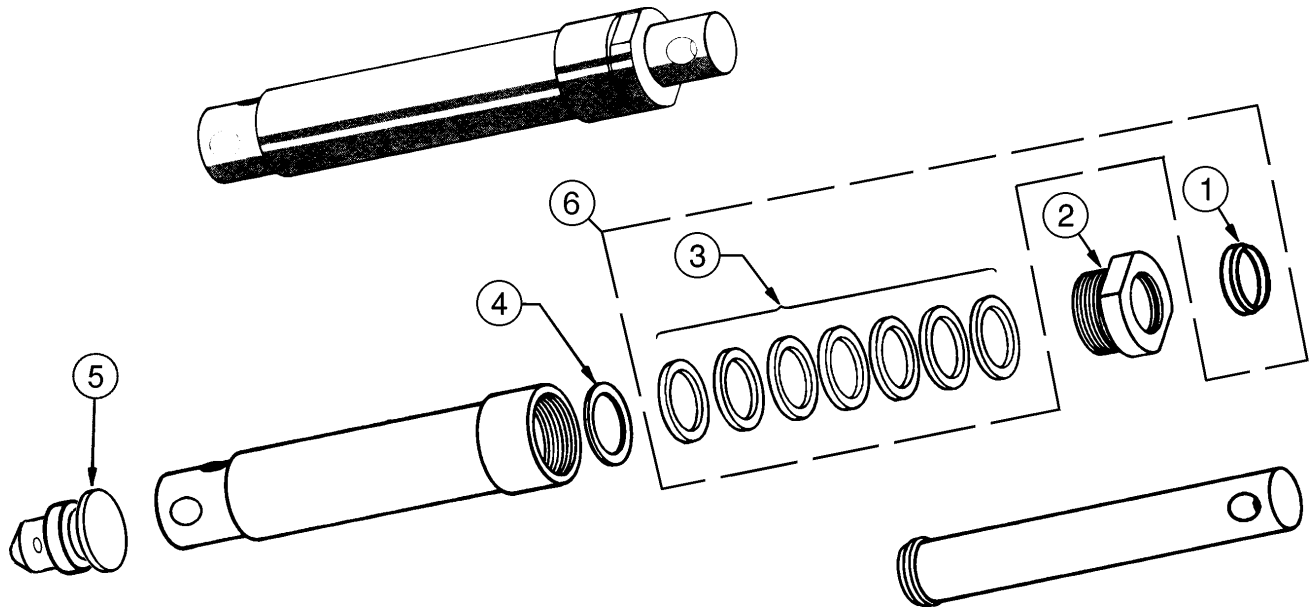


PARTS LIST AND DIAGRAM

Replacement Parts for Part Number 780-P Hydraulic Cylinder
 Used on 400 Series and 405 Series
 Serial Number 1088 to 0702 (MMYY)



ITEM	QTY	PART #	DESCRIPTION
1	1	M05111-P	ROD WIPER, 780-P
2	1	M05112-P	NUT, GLAND, 780-P
3	1	M05113-P	VEE PACKING SET, 780-P
4	1	M05114-P	WASHER, 780-P CYL
5	1	M01723-.75-P	POPPET ASM, PCFC, .75GPM 780-P
6	1	M05117-P	KIT, SEAL, 1-1/2 CYL, 780-P Includes: (1) M05111-P and (1) M05113-P

Note: Stroke is 22-5/8" (57.4675 cm)
 Length Closed: 30-3/8" (77.1525 cm) Center to Center
 Length Fully Extended: 53" (134.62 cm) Center to Center