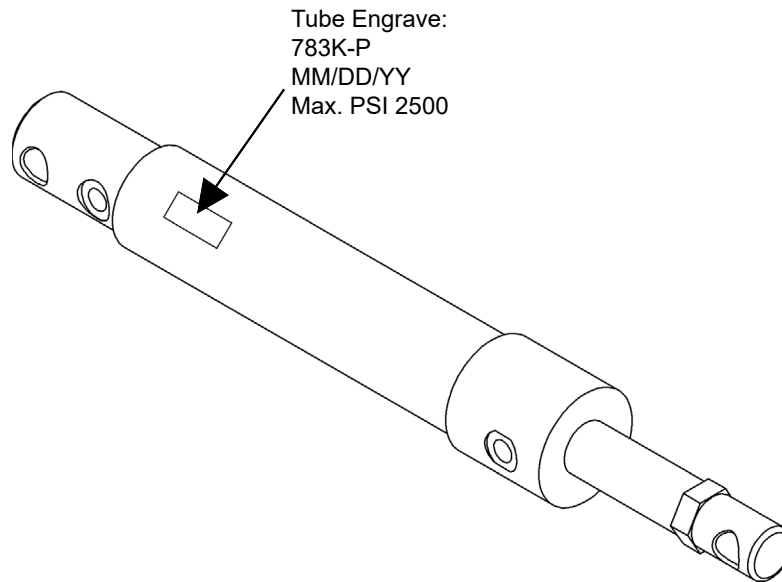


Replacement Parts List for Morse Part # 783K-P* Hydraulic Cylinder

Used on:

- Model 400A-60 and 400A-72 Power Lift Hydra-Lift Karriers with serial number 415103 to _____
- Model 400A-60 and 400A-72 Manual Lift Hydra-Lift Karriers with serial number 417157 to _____
- 405 Series Omni-Lift Drum Rackers with serial number 415103 to _____
- 410 Series Heavy-Duty Hydra-Lift Karriers with serial number 415103 to _____



QTY.	PART #	DESCRIPTION
1	783K-P	CYLINDER, 1.5 X 22.625 SAE KFP
1	6746-P	KIT, SEAL, 1.5" CYL, 783K-P

Note:

Stroke is 22-5/8" (57.5 cm)
 Length Closed: 30-3/8" (77.2 cm) Center to Center
 Length Fully Extended: 53" (134.6 cm) Center to Center

* The 783K-P Cylinder might be replaced with an alternate part, due to stock shortages, lead times and availability. Alternate parts are commonly purchased from different vendors and have the same form, fit and function as original part, making them interchangeable.



morsedrum.com



service@morsedrum.com



(315) 437-8475



103 Kuhn Rd.
 Syracuse, NY, 13208 U.S.A.