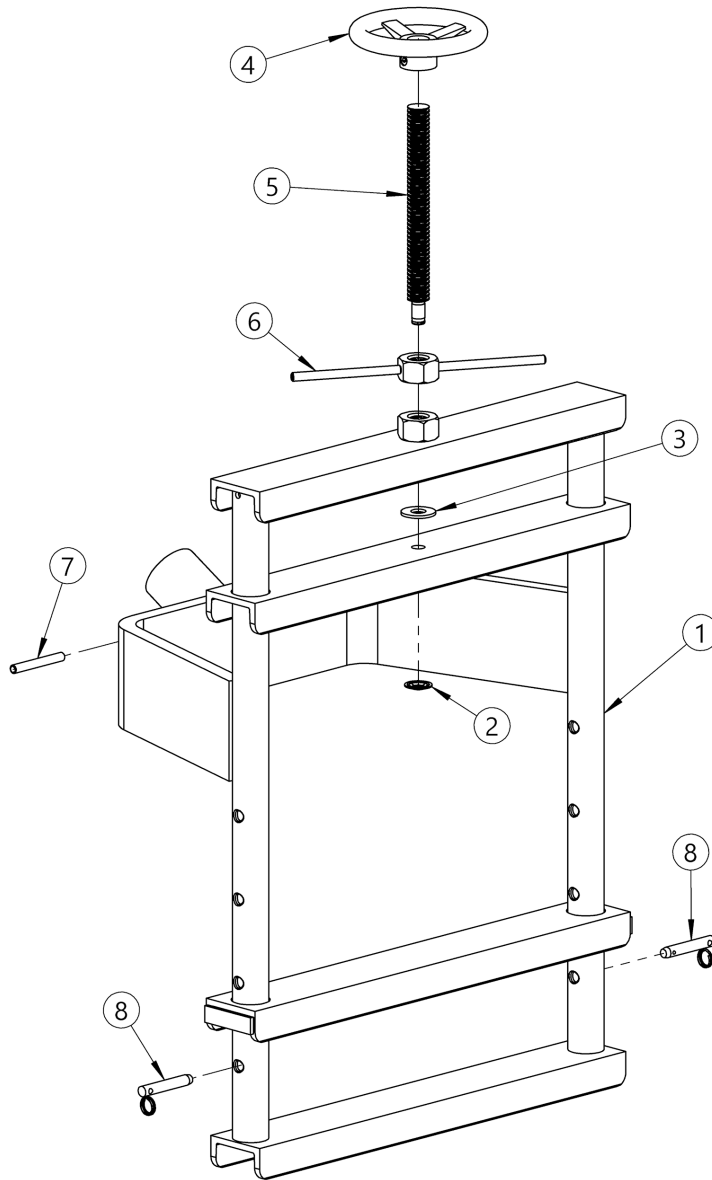


Parts Diagram for Can Holder Used On Morse 305 Series Can Tumblers
Serial Number 174638 to _____



ITEM NO.	PART NUMBER	DESCRIPTION	QTY.
1	855-P	CAN HOLDER WELD, 305	1
2	716-P	NUT, PUSH, 3/8	1
3	1166-P	WASHER, 3/8 USS 1" OD, ZINC	1
4	935-P	HANDWHEEL, 4" 305	1
5*	905-P	CLAMP SCREW, 5/8 ACME, 305	1
6	930-P	SCREW LOCK WELD, 305	1
7	2434-P	ROLL PIN, 1/4 X 2"	1
8	1903-P	PIN, QUICK 5/16 X 1.3, 305	2

* Recommended spare parts