

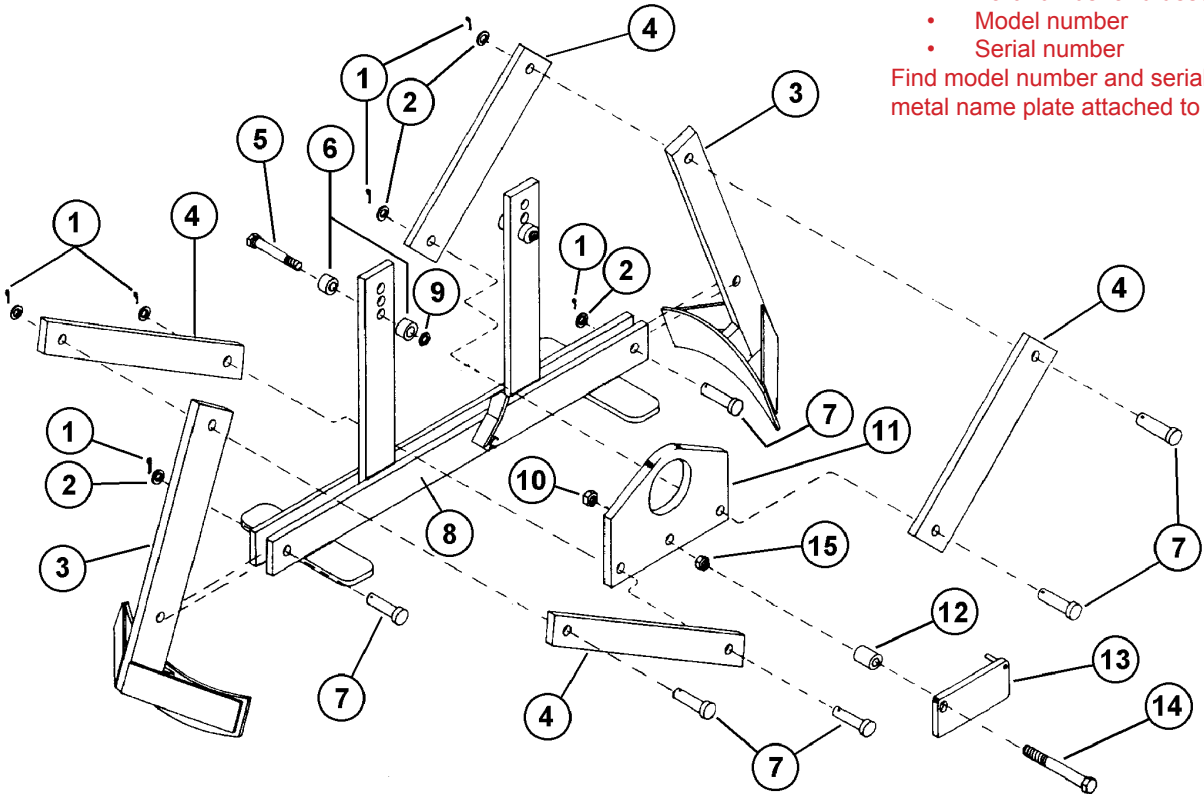
### Operator's Manual for Morse Model 90-30 Verti-Karrier for 30-Gallon Drum

For replacement parts, please contact your Morse dealer.

When ordering parts, please specify:

- Part number and description
- Model number
- Serial number

Find model number and serial number on metal name plate attached to frame.



| ITEM | QTY. | PART # | DESCRIPTION                    |
|------|------|--------|--------------------------------|
| 1*   | 6    | 785-P  | COTTER PIN, 1/8" X 1"          |
| 2    | 6    | 173-P  | WASHER, 1/2 SAE FL 1-1/16 OD   |
| 3    | 2    | 1218-P | ARM WELD, 90-30                |
| 4    | 4    | 986-P  | LINK, 90-30                    |
| 5    | 2    | 1168-P | HHCS, 1/2-13 X 2 GR2           |
| 6    | 4    | 151-P  | STOP SPACER, 90                |
| 7*   | 6    | 1167-P | CLEVIS PIN, 1/2" X 1-3/8", 90  |
| 8    | 1    | 987-P  | BASE WELD, 90-30               |
| 9    | 2    | 91-P   | NUT, 1/2-13 FIN HEX            |
| 10   | 1    | 1169-P | NUT, 3/8-16 REV HEX LOCK       |
| 11   | 1    | 980-P  | LIFTING PLATE, B/O, DRILLED 90 |
| 12   | 1    | 1968-P | TUBING, 5/8 OD X .688 90 155 7 |
| 13   | 1    | 145-P  | LATCH WEIGHT WELD, 90          |
| 14   | 1    | 82-P   | HHCS, 3/8-16 X 2-1/4 GR2       |
| 15   | 1    | 1165-P | NUT, 3/8-16 JAM                |

\* Recommended spare parts.