

**Operator's Manual for Morse Model 92-30  
 with Serial Number 1015 to \_\_\_\_ (MMYY)**

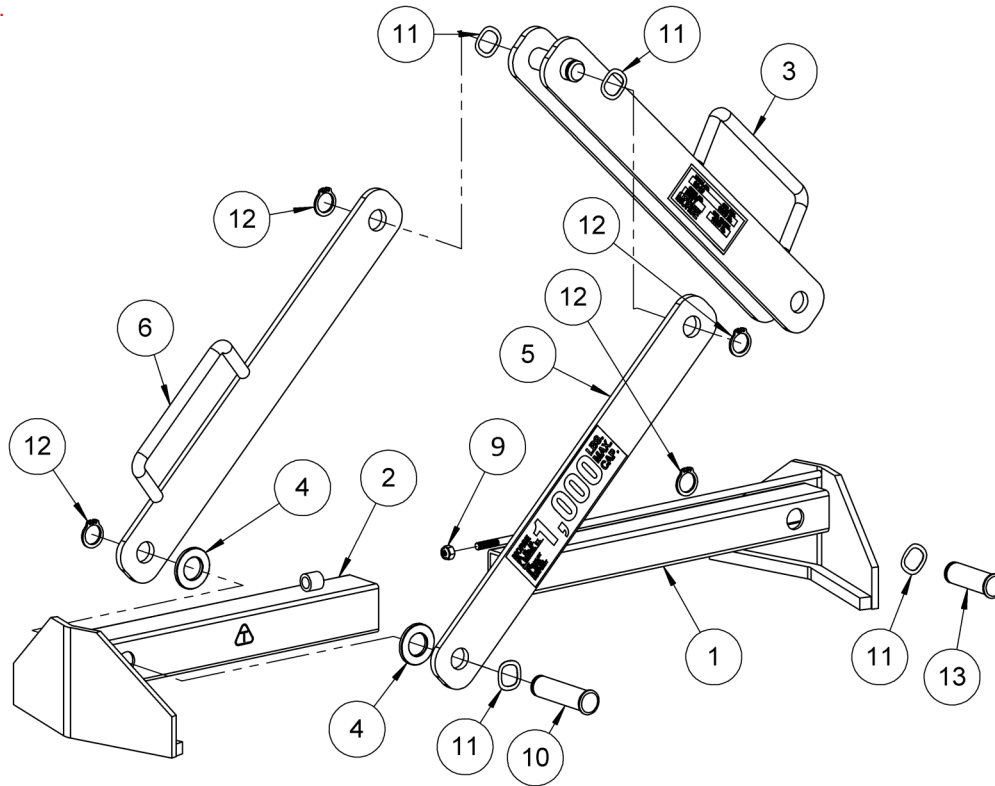
**Drum Lifter for 15" to 23" Diameter Rimmed Drum**

For replacement parts, please contact your Morse dealer.

When ordering parts, please specify:

- Part number and description
- Model number
- Serial number

Find model number and serial number on metal name plate attached to frame.



ITEM NO.	PART NUMBER	DESCRIPTION	QTY.
1	3286-P	SMALL SLIDER TUBE WELD, 92-30	1
2	3285-P	LARGE SLIDER TUBE WELD, 92-30	1
3	5588-P	DOUBLE LINK WELD, 92	1
4	55-P	WASHER, 3/4 SAE FL 1-1/2 OD	2
5	1429-P	LINK, 92	1
6	1440-P	LINK WELD W/ HANDLE, 92	1
9	4250-P	NUT, LOCK, 1/4-28 NYLON	1
10	5585-P	CLEVIS PIN, GROOVE 3/4 X 2.813	1
11	4319-P	WAVE DISC SPRING, 3/4" .0105"	4
12	5330-P	SNAP RING, EXT, HD, .078, 3/4"	4
13	5586L-P	PIN, GROOVE, 3/4 X 2.18 C	1