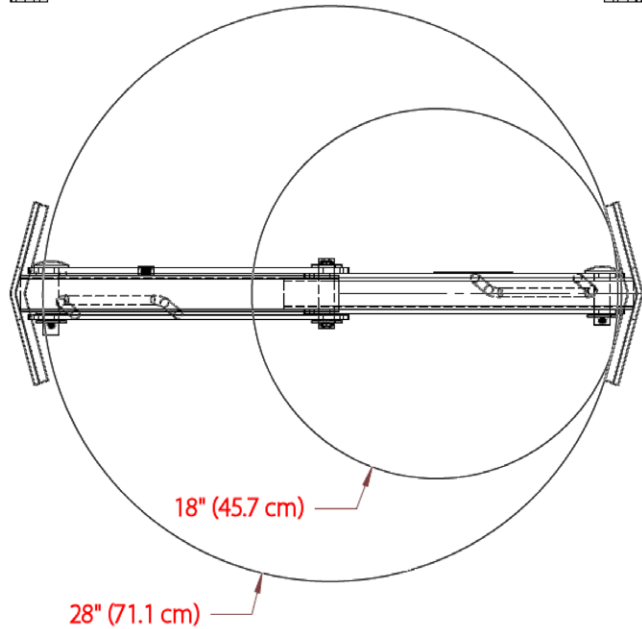
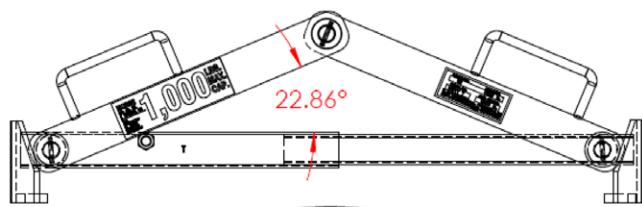
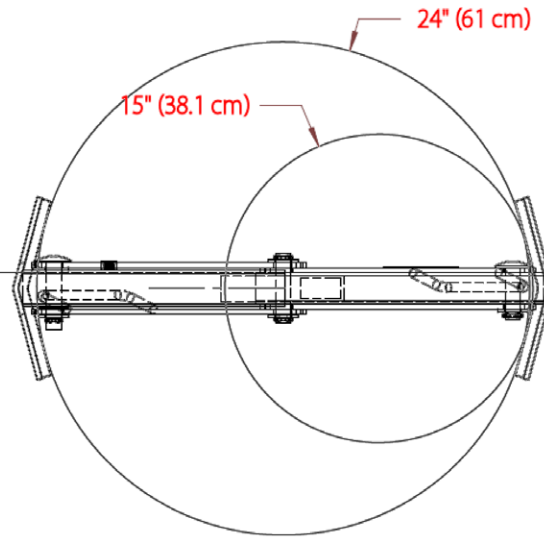
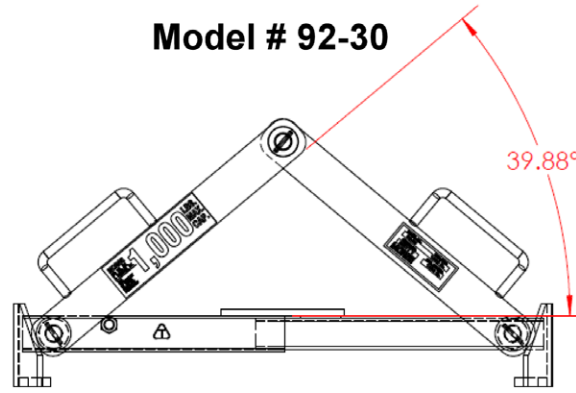


**Dimensions of 92 Series Drum Lifters**

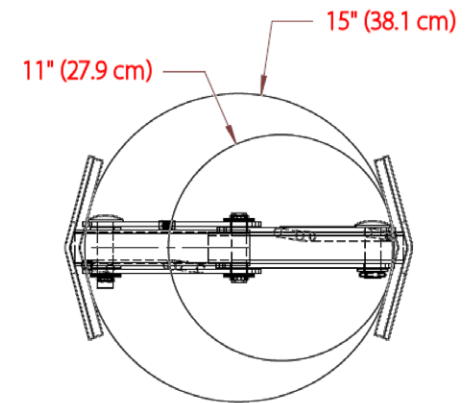
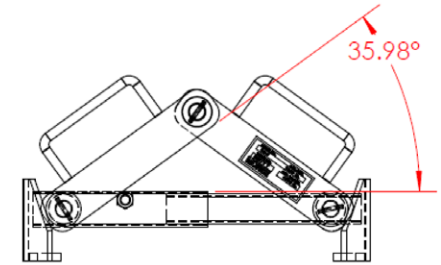
**Model 92, 92M & 92-SS**



**Model # 92-30**



**Model # 92-5**



**Dimensions of Morse Model 92, 92M & 92-SS**

**Configured for typical 55-gallon steel drum**

