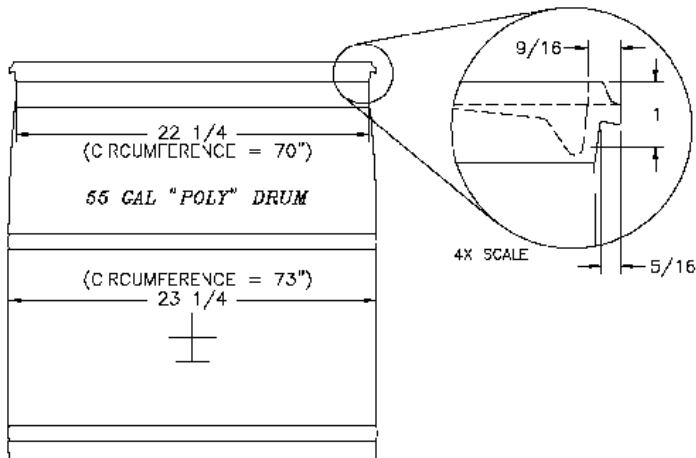


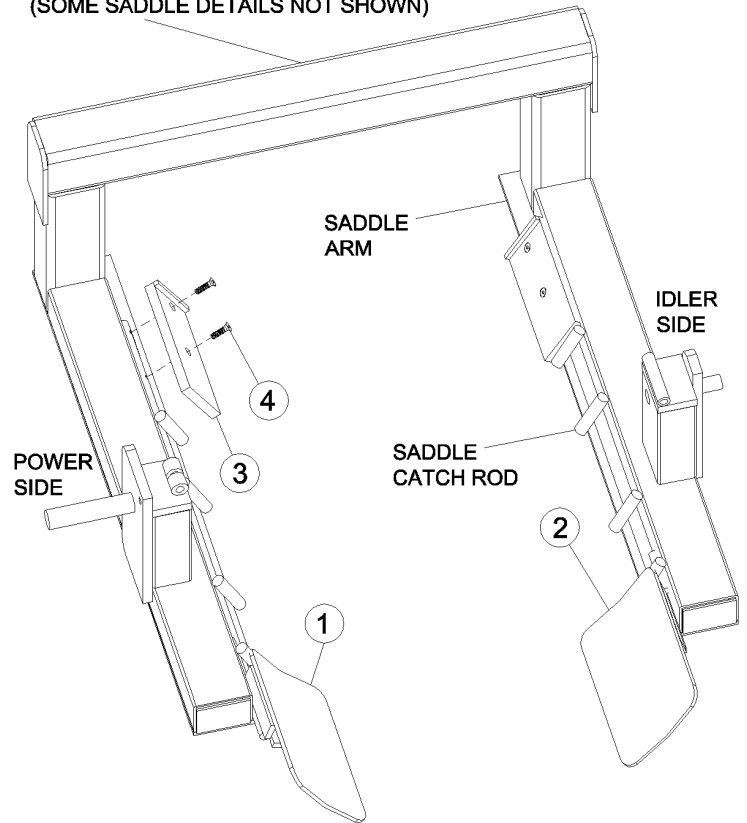
**Morse Adaptor to Handle Plastic Drum with Omni-Lift Karrier**

**Part # AP405**

Adaptor for handling 55 gallon poly drums in Morse 405 series drum racking equipment. Drums must have a suitable top rim.



SADDLE WELDMENT USED ON MORSE MODEL 405 (SOME SADDLE DETAILS NOT SHOWN)



405 Series Omni-Lift Drum Karrier will also handle a 55 gallon steel drum with AP405 installed.

**Installation / Assembly**

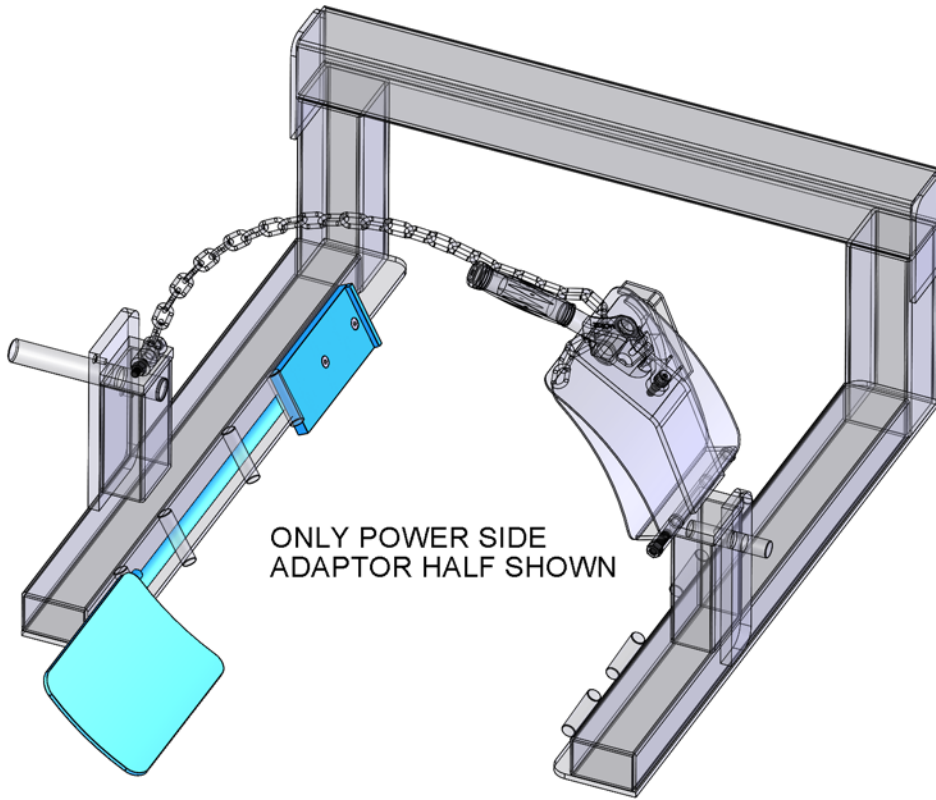
For each Adaptor Half, remove the two socket head cap screws (item #4) that fasten the chine catch (item #3) to the support rod weldment (item #1 & #2).

Slide the support rod through the space between the catch rods and the saddle arms on the 405 saddle assembly until the support pads rest against the first catch rod.

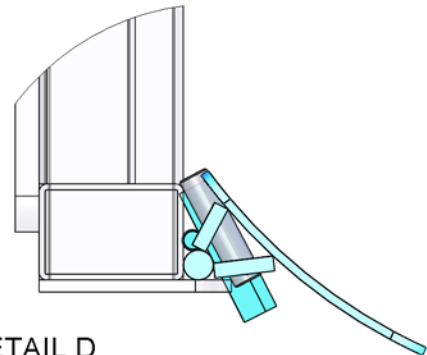
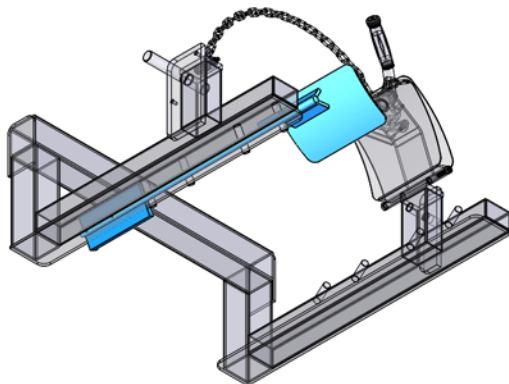
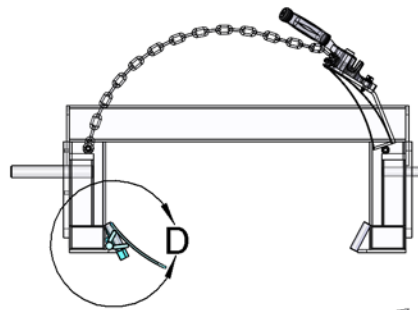
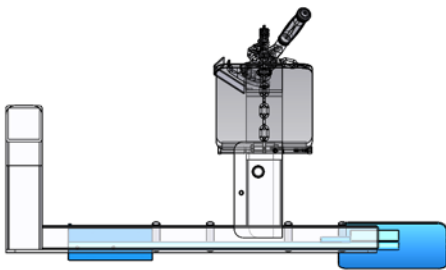
Fasten chine catches (item #3) to the support rods with the 405 saddle catch rods flush with the bottom of the chine catches.

ITEM #	QTY.	PART #	DESCRIPTION
1	1	2408-P	SUPPORT BLOCK, VERT AP405
2	1	2400-P	SUPPORT WELD, POWER, AP405
3	2	2401-P	PENDANT ASM, WIRED, 195
4	4	2407-P	SHCS, 1/4-20 X 1 FH

### Morse Adaptor to Handle Plastic Drum with Omni-Lift Karrier



AP405 MOUNTED IN 405  
SADDLE



DETAIL D  
SCALE 1 : 4