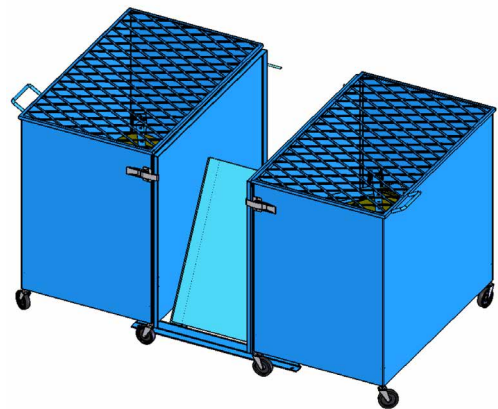
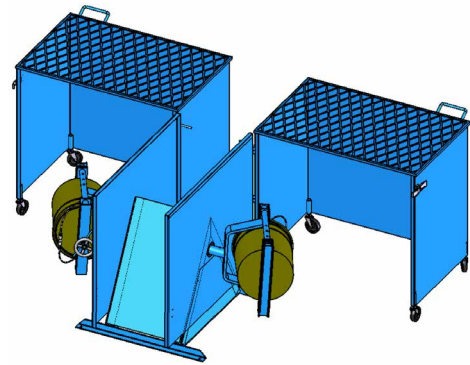


CONTENTS

	Page
Receiving Procedures.	1
Warranty.	1
Safety Information.	1 - 2
Assembly Instructions.	3 - 4
Parts List and Diagram.	5

Operator's Manual
for Morse Guard Enclosure Kit
Model GEK-2-305-E3
for Can Tumbler Model 2-305-E3



Receiving Procedures

Every Morse drum handler is inspected prior to shipping. However, damage may be incurred during transit.

- Check for visible damage. If you choose to accept damaged freight, always sign noting the damage on the **Bill of Lading**.
- Document the damage and have the truck driver sign. We recommend keeping a digital camera at your receiving dock for this purpose.
- Open packages expeditiously to check the condition of the goods. There is only a 24 hour window to notify the carrier of any concealed damage.
- Immediately **report all damage to the shipping company!** Then you may contact Morse for assistance with your freight claim.
- Morse Manufacturing will not be held responsible for any damaged freight that is not signed for as damaged.

Limited 2 Year Warranty

Morse drum handling equipment is guaranteed against defects in workmanship or materials for two years when used properly within its rated capacity. Warranty does not cover wear from normal use or damage from accident or abuse. Motors and other purchased parts carry the warranties of their manufacturers.

For warranty claims, contact your Morse Dealer to obtain a return authorization number, and for return freight advice. Return freight must be prepaid.

In all instances, liability is limited to the purchase price paid or to repairing or replacing the product. Customer assumes liability for any modifications, unauthorized repairs or parts substitution.

Safety Information

While Morse Manufacturing Co. drum handling equipment is engineered for safety and efficiency, a high degree of responsibility must be placed upon the machine operator to follow safe practices, based primarily on common sense, upon which true safety depends.

Failure to follow the safety precautions in this manual can result in personal injury or property damage. Observe the same precautions as with similar machinery where carelessness in operating or maintenance is hazardous to personnel. Carefully read the safety precautions below and throughout this manual.

Review the Material Safety Data Sheet(s) for the material(s) in the drum(s) and take all necessary precautions. Safety shoes, work gloves, hard hat and other personal protective devices are recommended.

Prior to initial use, inspect all moving parts. Perform necessary inspections, operator training, etc.

Operator's Manual for Morse Guard Enclosure Kit Model GEK-2-305-E3 for Can Tumbler Model 2-305-E3

Safety Information (continued)



DANGER - Indicates a situation which, if not avoided, will result in serious injury or death. This signal word is limited to the most extreme situations.



WARNING - Indicates a situation which, if not avoided, could result in serious injury or death.



CAUTION - Indicates a situation which, if not avoided, can result in damage to the machine.



WARNING - Do Not Modify the Unit. Under no circumstances should any modifications be made to the Morse machinery without factory authorization. Any modifications may void the warranty. This machine was designed to perform a specific job and alterations may result in injury to operator or machine.



WARNING - No Loose Fitting Clothing. Wear close-fitting clothing and safety equipment appropriate to the job. Loose fitting clothing may become caught on the machinery and cause severe personal injury.



CAUTION - Wear safety shoes with non-slip soles and hard toe protection.

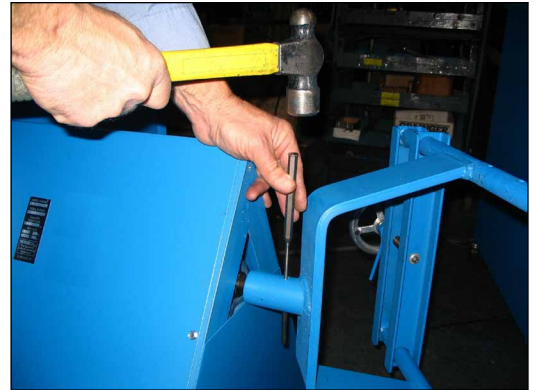


CAUTION: DO NOT allow can or pail to impact on floor, ground, or dumping station, etc.

**Operator's Manual for Morse Guard Enclosure Kit Model GEK-2-305-E3
for Can Tumbler Model 2-305-E3**

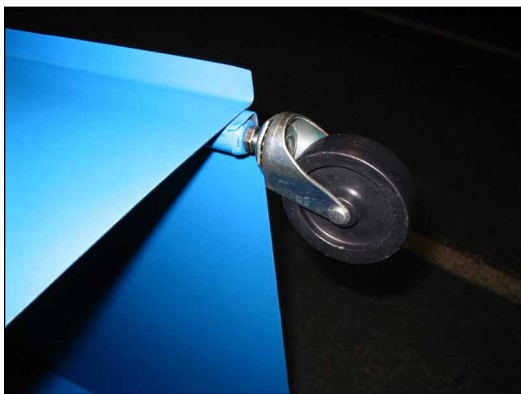
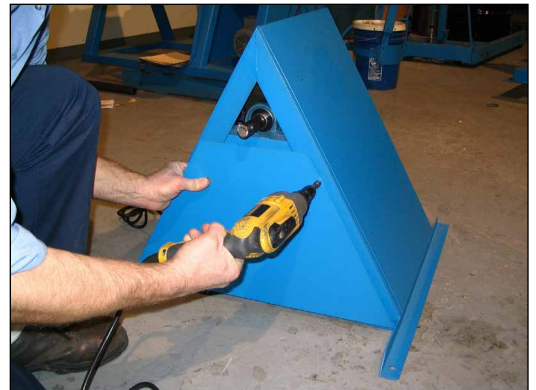
Assembly Instructions - Install Enclosure on Can Tumbler

Step 1: Remove can holder from drive shaft by knocking out 1/4" roll pin.



Step 2: Use a drill to remove the self drilling screws from the cover, by inserting the provided bolt to act as a 5/16" screw socket.

Step 3: Remove appropriate cover, it is no longer necessary and will be replaced by the back panel of the enclosure.



Step 4: Install casters to enclosure if necessary.

Step 5: Place a 2 x 4 spacer on each side of the frame, these will be used to hold the back panel of enclosure 3-1/2" off the floor.



**Operator's Manual for Morse Guard Enclosure Kit Model GEK-2-305-E3
for Can Tumbler Model 2-305-E3**

Step 6: Place the back panel of the enclosure onto the 2 x 4 spacers and against the frame of the tumbler. Center the hole with the shaft.



Step 7: Align each self drilling screw near the center of the angle frame.



Step 8: Screw 5 self drilling screws through back panel and into the angle frame.

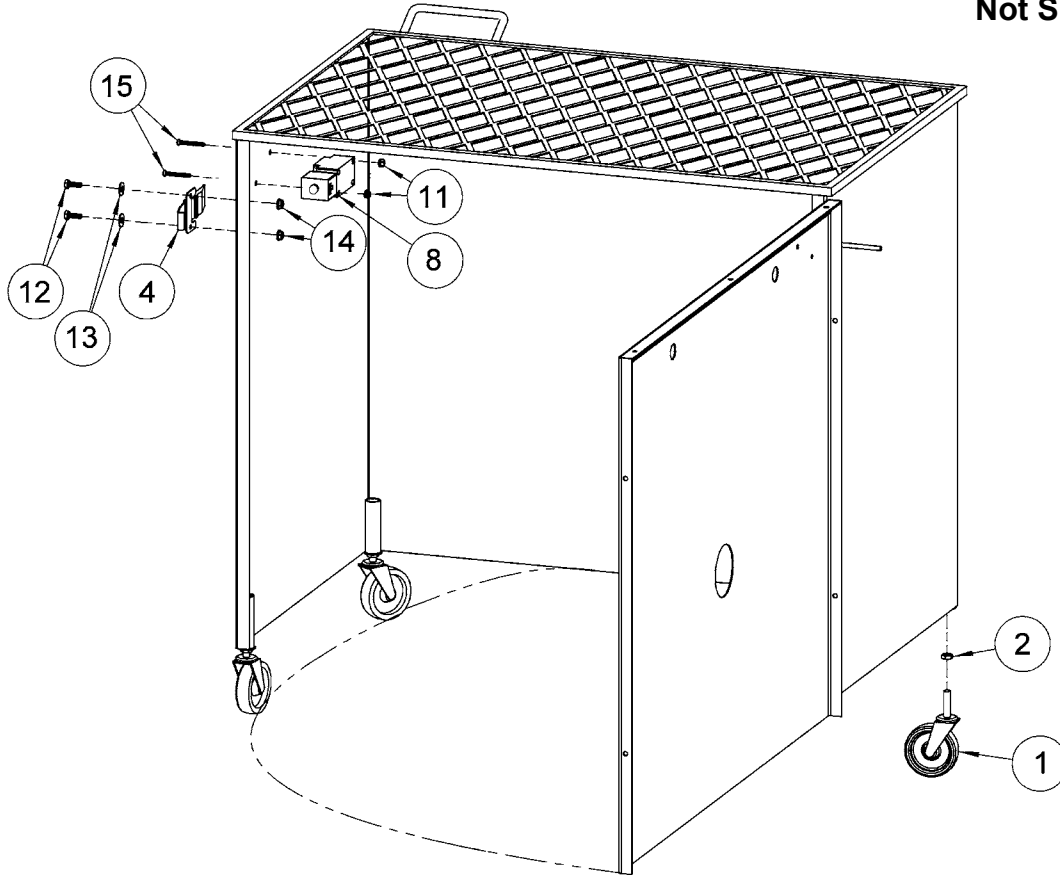


Step 9: Adjust the three casters so bottom of cage is approximately 4" off the floor. Lock casters in place by tightening jam nut upward. Close enclosure and verify that the switch aligns properly with the door. If switch is not aligned properly adjust accordingly.



**Operator's Manual for Morse Guard Enclosure Kit Model GEK-2-305-E3
for Can Tumbler Model 2-305-E3**

**Second Enclosure
Not Shown**



ITEM	QTY.	PART #	DESCRIPTION
1	6	3789-P	CASTER, 3" SWIVEL, STEM, 83
2	6	1165-P	NUT, 3/8-16 JAM
4	2	4770-P	LATCH, SPRING HOOK, 305-CAGE
8	2	3597-P	SWITCH, AC LIMIT, EXP, CAGE
11	4	1869-P	NUT, 10-24 NYLON LOCK
12	4	1714-P	HHCS, 1/4-20 X 3/4 GR2
13	4	1866-P	WASHER, 1/4 USS 3/4 OD
14	4	3923-P	NUT, 1/4-20 WHIZ LOCK
15	4	1867-P	BHSC, 10-24 X 1-3/4