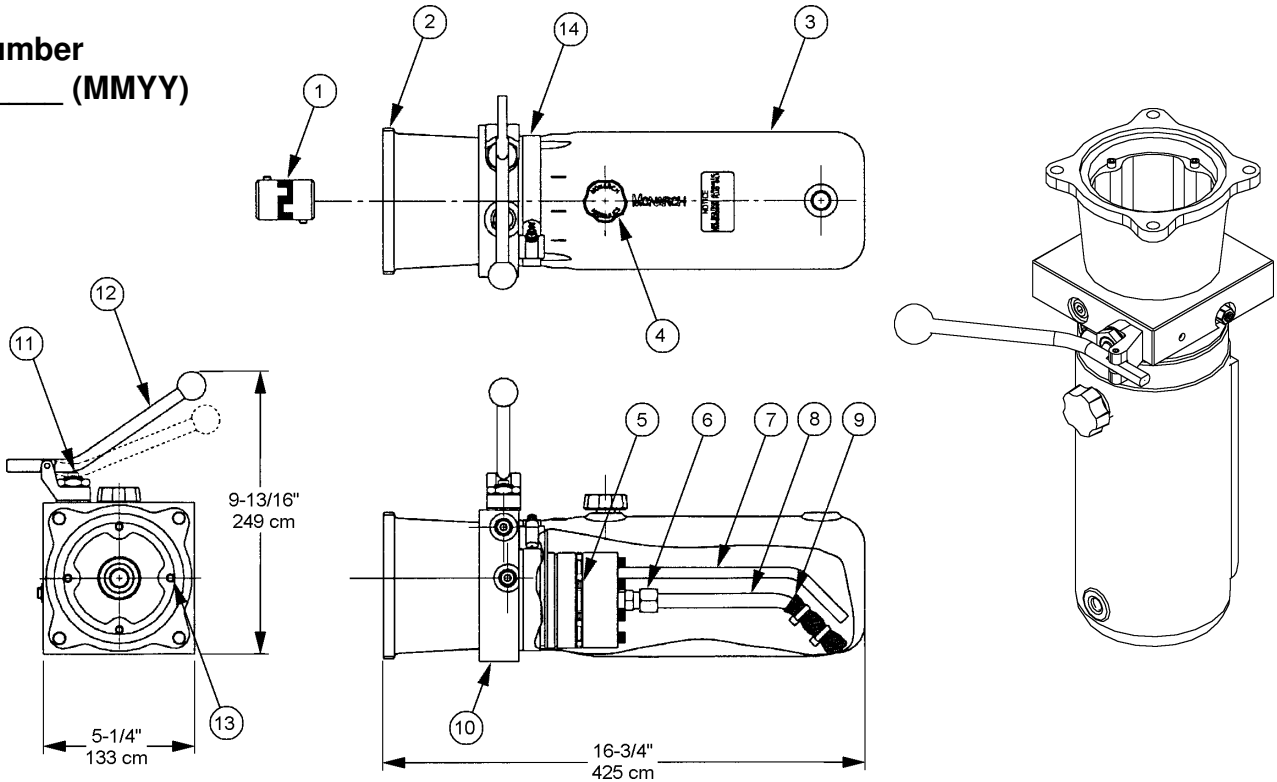


PARTS LIST AND DIAGRAM

for Morse Part Number M4509-P Hydraulic Power Pack

Used on: 400, 405 and 500 Series with 120 or 124 Option

Serial Number
0802 to ____ (MMYY)



ITEM	QTY.	PART #	DESCRIPTION
1	1	M18002-P	COUPLING ASM, M4509, M4507
2	1	M01615-P	HOUSING, PUMP/ MOTOR ADAPTER
3	1	M04618-P	RESERVOIR, POLY, 4.5 X 12
4	1	M03171-P	PLUG, BREATHER, 3/8 NPT
5	1	M12172-200-P	PUMP ASM, M4509, M4507
6	1	M01490-P	CONNECTOR ASM, BRASS 1/2TX3/8
7	1	M13021-1050-P	TUBE, RETURN, 45DEG, 1/8 NPTF
8	1	M04297-08-P	TUBE, SUCTION, 45DEG 1/2 ALUM
9	1	M01315-P	FILTER, SUCTION, MON
10	1	M12481-P	BASE ASM, M4509, MON
11	1	M10802-P	VALVE, MANUAL, 2W/2P, NC
12 *	1	M11208-P	HANDLE ASM, M4509, MON
13	4	M07818-P	SHCS, 1/4-20 X 3
14	1	M07900-P	CLAMP, HOSE, WORM GEAR, RSV

* Recommended spare parts

