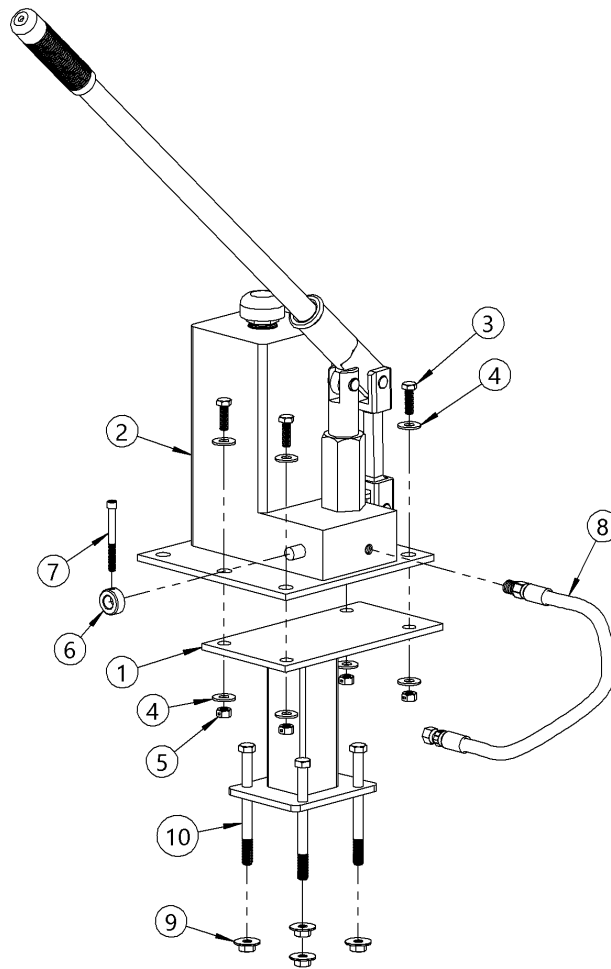


Parts Diagram for Morse Part # ML-410 Hand Pump Mount used on model 410



ITEM NO.	PART NUMBER	DESCRIPTION	QTY.
1	5952-P	WELD, HAND PUMP MOUNT, 410	1
2	96MK1939-P	PUMP, HYD, HAND STAR	1
3	35-P	HHCS, 5/16-18 X 1 GR2	4
4	1570-P	WASHER, 5/16 USS 7/8 OD	8
5	491-P	NUT, 5/16-18 REV HEX LOCK	4
6	1035-P	COLLAR, 1/2"	1
7	1040-P	SHCS, 1/4-20 X 2-1/2	1
8	766-ML-410-P	HYD HOSE ASM, 12"	1
9	4002-P	NUT, 3/8-16 WHIZ LOCK	4
10	4890-P	HHCS, 3/8-16 X 4-1/2 GR5	4